

ToLEDo RT G120 V4 CL 1055LM 827 E27 SL

Item No: 0027147

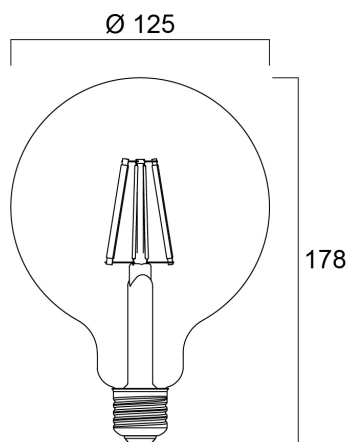
SYLVANIA



- Perfect for decorative and general lighting applications and creates a warm ambiance similar to traditional lamps
- Same look, size and functionality as incandescent lamps
- Omni-directional light distribution
- A++ energy rating
- Suitable replacement for incandescent and halogen lamps
- Gives same sparkling light effect as incandescent lamp
- Dimensionally identical to incandescent lamps - fits all fixtures
- Environment friendly - no mercury and lower CO2 emissions

Technical Assets

Dimensions (mm)



Photometrics

ToLEDo RT G120 V4 CL 1055LM 827 E27 SL

Item No: 0027147

SYLVANIA

General data

Nome do produto	ToLEDo RT G120 V4 CL 1055LM 827 E27 SL
Tecnologia	LED
Watt (Rated) (W)	8
Casquilho	E27
Luminária	Open
Aplicação geral	Hotelaria, Residencial & Consumer
Performance ambient temperature Tq (°C)	25
ETIM	EC001959
E-number FI	4740492
Garantia	3 years

Optical data

Useful luminous flux (Φ_{use})	1055
Luminous flux (Rated) (lm)	1055
Temperatura de cor (K)	2700
Cor da luz	Homelight
CRI	80
Ângulo do feixe (°)	300
Lumen maintenance at end of nominal life (%)	70

Electrical data

Power consumption (W)	8
Potência	8
Starting time (max) (s)	0.5
Warm-up time to 60% of full light (max) (s)	1
Fator de potência	0.5
No. Of switching cycles before premature failures	>50000
Corrente de arranque (A)	2.3
Frequência nominal (Hz)	50/60Hz
Máx. dispositivos por disjuntor C de 10A	43
Máx. produtos por disjuntor C de 16A	70
Max. products per 20A C Breaker	87

Lifetime data

Vida média (horas)	15000
Average life (Rated) (h)	15000

Physical data

Comprimento nominal do produto (mm)	178
Nominal Product Diameter (mm)	124
Peso (kg)	0.24

Packaging

Código EAN	5410288271477
Comprimento / altura da embalagem individual (cm)	18.4
Largura da embalagem individual (cm)	13.1
Profundidade da embalagem individual (cm)	13.1
DUN14 (inner)	15410288271474
Units per inner package	6
Packaging inner length / height (cm)	20.8
Packaging inner width (cm)	27.6
Packaging inner depth (cm)	41.0
Unidades por embalagem exterior	60
Comprimento / altura da embalagem exterior (cm)	107.2
Largura da embalagem exterior (cm)	42.3
Profundidade da embalagem exterior (cm)	56.3

Safety data

Breakage cleaning instructions	Not applicable
Special purpose lamp	No
Dry applications use only	Yes
Suitable for household illumination	Yes
Safety message	Not Suitable for totally enclosed fixtures