

# ToLEDo RT G80 V4 CL 640LM 827 E27 SL

Item No: 0027173

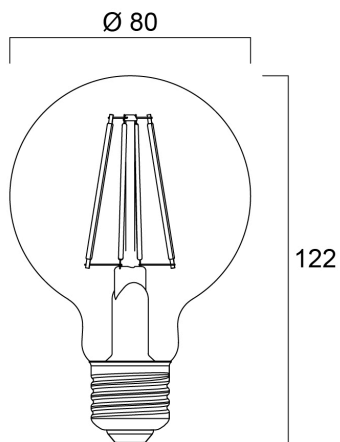
**SYLVANIA**



- Perfect for decorative and general lighting applications and creates a warm ambiance similar to traditional lamps
- Same look, size and functionality as incandescent lamps
- Omni-directional light distribution
- A++ energy rating
- Suitable replacement for incandescent and halogen lamps
- Gives same sparkling light effect as incandescent lamp
- Dimensionally identical to incandescent lamps - fits all fixtures
- Environment friendly - no mercury and lower CO2 emissions

## Technical Assets

### Dimensions (mm)



### Photometrics

# ToLEDo RT G80 V4 CL 640LM 827 E27 SL

Item No: 0027173

**SYLVANIA**

## General data

Nome do produto	ToLEDo RT G80 V4 CL 640LM 827 E27 SL
Tecnologia	LED
Watt (Rated) (W)	6
Casquilho	E27
Luminária	Open
Aplicação geral	Hotelaria, Residential & Consumer
Performance ambient temperature Tq (°C)	25
ETIM	EC001959
E-number FI	4740428
E-number SE	8290518
Garantia	3 years

## Optical data

Useful luminous flux ( $\Phi_{use}$ )	640
Luminous flux (Rated) (lm)	640
Temperatura de cor (K)	2700
Cor da luz	Homelight
CRI	80
Ângulo do feixe (°)	300
Lumen maintenance at end of nominal life (%)	70

## Electrical data

Power consumption (W)	6
Potência	6
Starting time (max) (s)	0.5
Warm-up time to 60% of full light (max) (s)	1
Fator de potência	0.5
No. Of switching cycles before premature failures	>50000
Corrente de arranque (A)	3.1
Frequência nominal (Hz)	50/60Hz
Máx. dispositivos por disjuntor C de 10A	32
Máx. produtos por disjuntor C de 16A	52
Max. products per 20A C Breaker	65

## Lifetime data

Vida média (horas)	15000
Average life (Rated) (h)	15000

## Physical data

Comprimento nominal do produto (mm)	122
Nominal Product Diameter (mm)	80
Peso (kg)	0.12

# ToLEDo RT G80 V4 CL 640LM 827 E27 SL

Item No: 0027173

**SYLVANIA**

## Packaging

Código EAN	5410288271736
Comprimento / altura da embalagem individual (cm)	13.0
Largura da embalagem individual (cm)	8.2
Profundidade da embalagem individual (cm)	8.2
DUN14 (inner)	15410288271733
Units per inner package	6
Packaging inner length / height (cm)	25.8
Packaging inner width (cm)	17.4
Packaging inner depth (cm)	14.7
Unidades por embalagem exterior	24
Comprimento / altura da embalagem exterior (cm)	37.0
Largura da embalagem exterior (cm)	27.0
Profundidade da embalagem exterior (cm)	32.0

## Safety data

Breakage cleaning instructions	Not applicable
Special purpose lamp	No
Dry applications use only	Yes
Suitable for household illumination	Yes
Safety message	Not Suitable for totally enclosed fixtures