

ToLEDo RT BALL V4 CL 250LM 827 E27 SL

Item No: 0027240

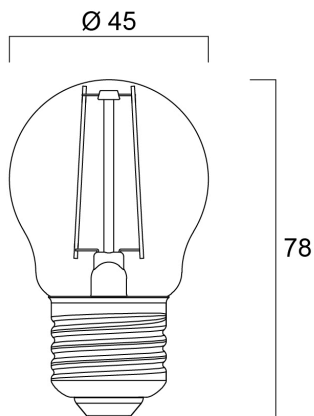
SYLVANIA



- Perfect for decorative and general lighting applications and creates a warm ambience similar to traditional lamps
- The versatile ToLEDo Retro ball range is the ideal replacement for halogen and incandescent lamps and perfect for chandeliers and decorative applications
- Same look, size and functionality as incandescent lamps
- Omni-directional light distribution
- A++ energy rating
- Gives same sparkling light effect as the incandescent lamp
- Dimensionally identical to incandescent lamps - fits all fixtures
- Environment-friendly - no mercury and lower CO2 emissions

Technical Assets

Dimensions (mm)



Photometrics

ToLEDo RT BALL V4 CL 250LM 827 E27 SL

Item No: 0027240

SYLVANIA

General data

Nome do produto	ToLEDo RT BALL V4 CL 250LM 827 E27 SL
Tecnologia	LED
Watt (Rated) (W)	2.5
Casquilho	E27
Luminária	Open
Aplicação geral	Hotelaria, Residential & Consumer
Performance ambient temperature Tq (°C)	25
ETIM	EC001959
E-number FI	4740422
E-number SE	8295048
Garantia	3 years

Optical data

Useful luminous flux (Φ_{use})	250
Luminous flux (Rated) (lm)	250
Temperatura de cor (K)	2700
Cor da luz	Homelight
CRI	80
Ângulo do feixe (°)	300
Lumen maintenance at end of nominal life (%)	70

Electrical data

Power consumption (W)	2.5
Potência	2.5
Starting time (max) (s)	0.5
Warm-up time to 60% of full light (max) (s)	1
Fator de potência	0.5
No. Of switching cycles before premature failures	>50000
Corrente de arranque (A)	1.2
Frequência nominal (Hz)	50/60Hz
Máx. dispositivos por disjuntor C de 10A	83
Máx. produtos por disjuntor C de 16A	133
Max. products per 20A C Breaker	167

Lifetime data

Vida média (horas)	15000
Average life (Rated) (h)	15000

Physical data

Comprimento nominal do produto (mm)	78
Nominal Product Diameter (mm)	45
Peso (kg)	0.019

ToLEDo RT BALL V4 CL 250LM 827 E27 SL

Item No: 0027240



Packaging

Código EAN	5410288272405
Comprimento / altura da embalagem individual (cm)	9.8
Largura da embalagem individual (cm)	4.8
Profundidade da embalagem individual (cm)	4.8
DUN14 (inner)	15410288272402
Units per inner package	6
Packaging inner length / height (cm)	15.3
Packaging inner width (cm)	11.1
Packaging inner depth (cm)	10.6
DUN14 (outer)	25410288272409
Unidades por embalagem exterior	60
Comprimento / altura da embalagem exterior (cm)	54.7
Largura da embalagem exterior (cm)	33.1
Profundidade da embalagem exterior (cm)	14.0

Safety data

Breakage cleaning instructions	Not applicable
Special purpose lamp	No
Dry applications use only	Yes
Suitable for household illumination	Yes
Safety message	Not Suitable for totally enclosed fixtures