

# RefLED ES50 V5 425lm 830 36° SL

Item No: 0027447

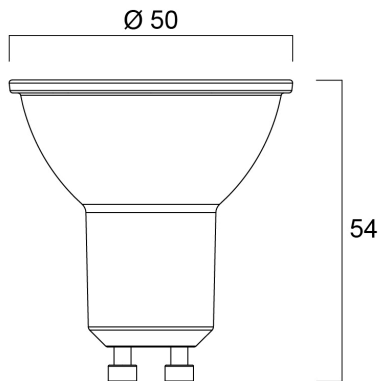
**SYLVANIA**



- Compact, energy efficient and exceptional value for money product.
- Same shape and size as halogen GU10 lamp
- Compact Cluster SMD technology enabling high efficiency with halogen look
- Reduced visible heat sink from the front
- Available in 36 degree
- High lumen efficacy
- 15,000 hours average rated life
- 3 years warranty

## Technical Assets

### Dimensions (mm)



### Photometrics

# RefLED ES50 V5 425lm 830 36° SL

Item No: 0027447

**SYLVANIA**

## General data

Nome do produto	RefLED ES50 V5 425lm 830 36° SL
Tecnologia	LED
Watt (Rated) (W)	6.2
Casquilho	GU10
Luminária	Open
Aplicação geral	Escritórios, Hotelaria, Retailho, Educação, Residential & Consumer, Museums & Galleries
Performance ambient temperature Tq (°C)	25
ETIM	EC001959
E-number FI	4740469
E-number SE	8292499
Garantia	3 years

## Optical data

Useful luminous flux ( $\Phi_{use}$ )	425
Temperatura de cor (K)	3000
Cor da luz	Warm White
CRI	80
Colour Consistency (SDCM)	6
Variação da cor (SDCM)	SDCM6
Luminous Intensity (cd)	960
Ângulo do feixe (°)	36
Lumen maintenance at end of nominal life (%)	70

## Electrical data

Power consumption (W)	6.2
Potência	6.2
Starting time (max) (s)	< 0.5
Warm-up time to 60% of full light (max) (s)	< 1.0
Fator de potência	0.5
No. Of switching cycles before premature failures	>50000
Corrente de arranque (A)	3.65
Frequência nominal (Hz)	50/60Hz
Máx. dispositivos por disjuntor C de 10A	16
Máx. produtos por disjuntor C de 16A	26
Max. products per 20A C Breaker	33

## Lifetime data

Vida média (horas)	15000
Average life (Rated) (h)	15000

## Physical data

Comprimento nominal do produto (mm)	54
Nominal Product Diameter (mm)	50
Peso (kg)	0.038

# RefLED ES50 V5 425lm 830 36° SL

Item No: 0027447

**SYLVANIA**

## Packaging

Código EAN	5410288274478
Comprimento / altura da embalagem individual (cm)	6.1
Largura da embalagem individual (cm)	5.2
Profundidade da embalagem individual (cm)	5.2
DUN14 (inner)	15410288274475
Units per inner package	6
Packaging inner length / height (cm)	16.7
Packaging inner width (cm)	11.6
Packaging inner depth (cm)	7.5
DUN14 (outer)	25410288274472
Unidades por embalagem exterior	60
Comprimento / altura da embalagem exterior (cm)	59.8
Largura da embalagem exterior (cm)	18.7
Profundidade da embalagem exterior (cm)	17.1

## Safety data

Breakage cleaning instructions	Not applicable
Special purpose lamp	No
Dry applications use only	Yes
Suitable for household illumination	Yes
Safety message	Not Suitable for totally enclosed fixtures