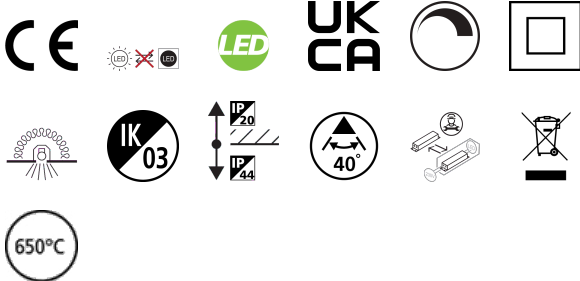


Tucana IP44 900LM 3CCT DALI WHT

Item No: 0005214

SYLVANIA

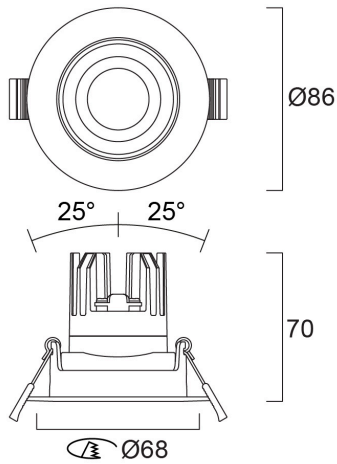
PROTM



TUCANA IP44 900LM 3CCT DALI WHT is a universal spotlight offering three adjustable colour temperature options (3 CCT 2700K / 3000K / 4000K) for easy customization to suit the need of the user. White bezel finish, adjustable, DALI driver with switch dim option, 40° degree beam angle, IP44 from the front, loop-in/loop-out terminals for fast wiring, 68mm cutout, coverable by insulation material.

Technical Assets

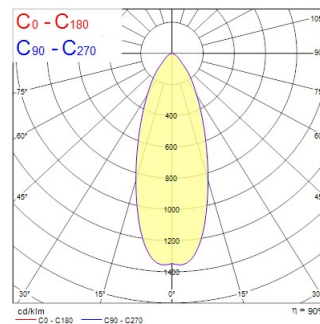
Dimensions (mm)



Photometrics

Distance [m]	Cone diameter [m]	Beam diameter [m]	Beam diameter [ft]	Illuminance [lx]
0.5	0.35	0.07	0.23	456
1.0	0.70	0.14	0.46	228
1.5	1.05	0.21	0.69	152
2.0	1.40	0.28	0.92	114
2.5	1.75	0.35	1.15	90
3.0	2.10	0.42	1.38	72

Distance [m] Cone diameter [m] Illuminance [lx]
 — C0 - C180 (Half beam angle: 36.6°)



Tucana IP44 900LM 3CCT DALI WHT

Item No: 0005214

SYLVANIA

General data

Product name	Tucana IP44 900LM 3CCT DALI WHT
Technology	LED
Cap/Base	N/A
Housing	Aluminium
Mount	Ceiling recessed mounting
Built in presence detector	NONE
General application	Hospitality, Retail
Operating temperature range (°C)	0°C...+35°C
Virtual assistant compatibility	N/A
ETIM Class	EC001744
E-number FI	4170750
Warranty	5 years

Optical data

Fixture luminous flux (lm)	900
Luminaire efficacy (lm/W)	105
Light colour	Warm White or Neutral White
CRI (Ra)	90
Colour Variation Initial (SDCM)	SDCM3
Beam Angle (°)	40
Distribution type	Symmetric
Photobiological Risk Group	RG1

Electrical data

Emergency type	
Total power consumption (W)	8.5
Primary Supply/Product voltage - min (V)	220.0
Primary Supply/Product voltage - max (V)	240.0
Lamp power factor	0.85
THD (at 230 V, 50 Hz, full load, at 100% dimming level) ≤ xx.x %	10
Electrical protection	Class II
Control gear type	LED driver constant current
Dimmable	Yes
Dimming method	DALI
Drive current (mA)	200
Inrush Current (A)	8
Inrush Duration (µs)	36
Energy Efficiency Class (A->G) of contained light source	D
Nominal Frequency (Hz)	50/60Hz
LED Flickering Rate	Ultra low (5% or less)
Max. products per 10A C Breaker	131
Max. products per 13A C Breaker	170
Max. products per 16A C Breaker	210
Max. products per 20A C Breaker	262
Max. products per 10A B Breaker	131
Max. products per 13A B Breaker	170
Max. products per 16A B Breaker	210
Max. products per 20A B Breaker	262
Connectable conductor cross section - Min (mm ²)	0.75
Connectable conductor cross section - Max (mm ²)	1.5

Tucana IP44 900LM 3CCT DALI WHT

Item No: 0005214

SYLVANIA

Lifetime data

Lifespan L70 B50	155000
Lifespan L80 B50	98000
Lifespan L80 B20	84000
Lifespan L90 B50	48000

Physical data

Housing colour	RAL 9016 - Traffic white / Bezel
IP rating	IP44/20
IK rating	IK03
Diffuser finish	Transparent
Diffuser material	Other, PC Polycarbonate
Reflector finish	Not Applicable
Nominal Product Height (mm)	70
Nominal Product Diameter (mm)	86
Weight (kg)	0.3

Packaging

Product EAN number	5410288052144
Packaging single length / height (cm)	15.5
Packaging single width (cm)	13.1
Packaging single depth (cm)	10.0
DUN14 (inner)	15410288052141
Units per outer package	18
Packaging outer length / height (cm)	32.6
Packaging outer width (cm)	41.1
Packaging outer depth (cm)	31.8

Safety data

Glow Wire Test (°C)	650
Optimal operating condition (°C)	0 °C-35