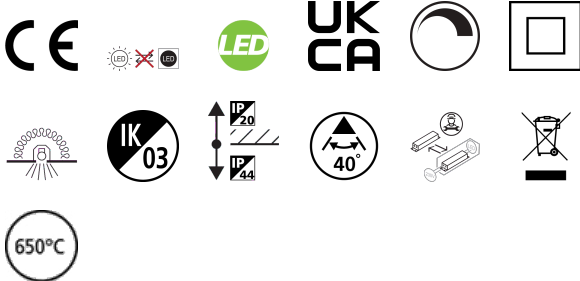


# Tucana IP44 825LM 3CCT DALI BLK

Item No: 0005224

**SYLVANIA**

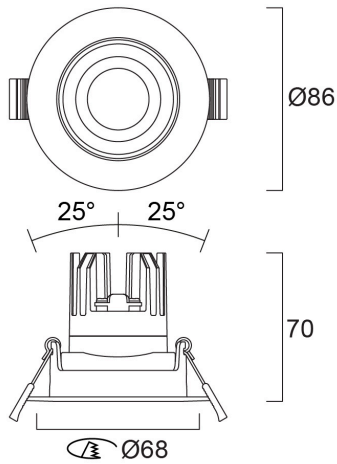
**PRO**<sup>TM</sup>



TUCANA IP44 LM 3CCT DALI BLK is a universal spotlight offering three adjustable colour temperature options (3 CCT 2700K / 3000K / 4000K) for easy customization to suit the need of the user. Black bezel finish, adjustable, DALI driver with switch dim option, 40° degree beam angle, IP44 from the front, loop-in/loop-out terminals for fast wiring, 68mm cutout, coverable by insulation material.

## Technical Assets

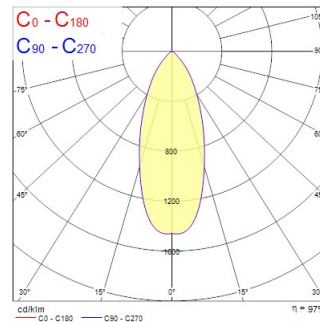
### Dimensions (mm)



### Photometrics

Distance [m]	Cone diameter [m]	E171 E209	4779 1987
0.5	0.37	E171 E209	1196 497
1.0	0.74	E171 E209	821 331
1.5	1.12	E171 E209	299 124
2.0	1.49	E171 E209	191 76
2.5	1.86	E171 E209	133 53
3.0	2.23	E171 E209	100 40

Distance [m] Cone diameter [m] Illuminance [lx]  
 — C0 - C180 (Half beam angle: 40.8°)



# Tucana IP44 825LM 3CCT DALI BLK

Item No: 0005224

**SYLVANIA**

## General data

Product name	Tucana IP44 825LM 3CCT DALI BLK
Technology	LED
Cap/Base	N/A
Housing	Aluminium
Mount	Ceiling recessed mounting
Built in presence detector	NONE
General application	Hospitality, Retail
Operating temperature range (°C)	0°C...+35°C
Virtual assistant compatibility	N/A
ETIM Class	EC001744
E-number FI	4170751
Warranty	5 years

## Optical data

Fixture luminous flux (lm)	825
Luminaire efficacy (lm/W)	98
Light colour	Warm White or Neutral White or Daylight
CRI (Ra)	90
Colour Variation Initial (SDCM)	SDCM3
Beam Angle (°)	40
Distribution type	Symmetric
Photobiological Risk Group	RG1

## Electrical data

Emergency type	
Total power consumption (W)	8.5
Primary Supply/Product voltage - min (V)	220.0
Primary Supply/Product voltage - max (V)	240.0
Lamp power factor	0.85
THD (at 230 V, 50 Hz, full load, at 100% dimming level) ≤ xx.x %	10
Electrical protection	Class II
Control gear type	LED driver constant current
Dimmable	Yes
Dimming method	DALI
Drive current (mA)	200
Inrush Current (A)	8
Inrush Duration (µs)	36
Energy Efficiency Class (A->G) of contained light source	D
Nominal Frequency (Hz)	50/60Hz
Max. products per 10A C Breaker	131
Max. products per 13A C Breaker	170
Max. products per 16A C Breaker	210
Max. products per 20A C Breaker	262
Max. products per 10A B Breaker	131
Max. products per 13A B Breaker	170
Max. products per 16A B Breaker	210
Max. products per 20A B Breaker	262
Connectable conductor cross section - Min (mm <sup>2</sup> )	0.75
Connectable conductor cross section - Max (mm <sup>2</sup> )	1.5

# Tucana IP44 825LM 3CCT DALI BLK

Item No: 0005224

**SYLVANIA**

## Physical data

Housing colour	RAL 9005 - Jet black
IP rating	IP44/20
IK rating	IK03
Diffuser finish	Transparent
Diffuser material	Other, PC Polycarbonate
Reflector finish	Not Applicable
Nominal Product Height (mm)	70
Nominal Product Diameter (mm)	86
Weight (kg)	0.3

## Packaging

Product EAN number	5410288052243
Packaging single length / height (cm)	15.5
Packaging single width (cm)	13.1
Packaging single depth (cm)	10.0
DUN14 (inner)	15410288052240
Units per outer package	18
Packaging outer length / height (cm)	32.6
Packaging outer width (cm)	41.1
Packaging outer depth (cm)	31.8

## Safety data

Glow Wire Test (°C)	650
Optimal operating condition (°C)	0 °C-35