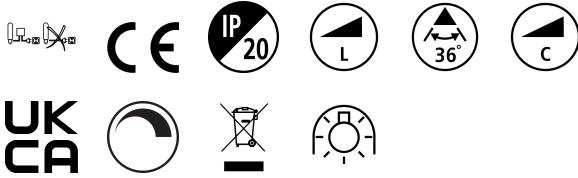


RefLED Superia Retro MR16 V3 621LM DIM 840 36 SL

Item No: 0031823

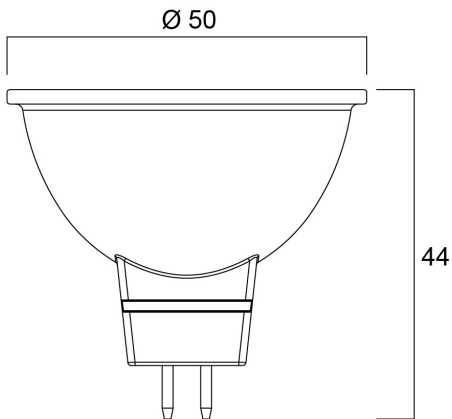
SYLVANIA



Premium performance professional LED MR16 range with the same look and feel of traditional halogen MR16 lamp. Recreates backlight effect similar to halogen dichroic lamps. Full glass design - means no colours clashing between lamp and fixture. Very long lifetime of up to 25,000 hours. Switching cycles: >100,000. Colour rendering: CRI80. Lamp voltage: 12V AC/DC. Dimmable on approved dimmers. Works with magnetic and compatible electronic transformers. Warranty: 5 Years

Technical Assets

Dimensions (mm)



Photometrics

RefLED Superia Retro MR16 V3 621LM DIM 840 36 SL

Item No: 0031823

SYLVANIA

General data

Product name	RefLED Superia Retro MR16 V3 621LM DIM 840 36 SL
Technology	LED
Watt (Rated) (W)	6.1
Lamp shape	Reflector
Cap/Base	GU5.3
Lamp finish	Fresnel lens
Built in presence detector	NONE
Fixture rating	Open
General application	Education, Hospitality, Museums & Galleries, Office, Residential & Consumer, Retail
Virtual assistant compatibility	N/A
ETIM Class	EC001959
E-number FI	4741255
Warranty	5 years

Optical data

Useful luminous flux (Φ_{use})	621
Correlated colour temperature (k)	4000
Light colour	Cool White
CRI (Ra)	80
Colour Variation Initial (SDCM)	SDCM6
Luminous Intensity (cd)	1150
Beam Angle (°)	36
Photobiological Risk Group	RG1

Electrical data

Power consumption (W)	6.1
Wattage (W)	6.1
Equivalent watt (W)	50
Supply current (A)	0.7
Primary Supply/Product voltage - min (V)	12.0
Primary Supply/Product voltage - max (V)	12.0
Control gear required	Yes
Control gear type	LED driver constant current
No. Of switching cycles before premature failures	>50000
Dimmable	Yes
Dimming method	Mains: leading / trailing edge
Inrush Current (A)	3.68
Inrush Duration (μ s)	880
Lamp Energy Label (class)	E
Nominal Frequency (Hz)	50/60/HF

Lifetime data

Lifespan L70 B50	25000
------------------	-------

Physical data

Housing colour	Transparent
IP rating	IP20
Nominal Product Height (mm)	44
Nominal Product Diameter (mm)	50
Weight (kg)	0.041

RefLED Superia Retro MR16 V3 621LM DIM 840 36 SL

Item No: 0031823



Packaging

Product EAN number	5410288318233
Packaging single length / height (cm)	6.1
Packaging single width (cm)	5.1
Packaging single depth (cm)	8.2
DUN14 (inner)	15410288318230
Units per inner package	6
Packaging inner length / height (cm)	19.4
Packaging inner width (cm)	11.1
Packaging inner depth (cm)	9.2
DUN14 (outer)	25410288318237
Units per outer package	60
Packaging outer length / height (cm)	58.5
Packaging outer width (cm)	20.8
Packaging outer depth (cm)	20.8

Safety data

Breakage cleaning instructions	Not applicable
Special purpose lamp	No
Dry applications use only	Yes
Suitable for household illumination	Yes
Safety message	Suitable for approved transf./dimmers