

Alu Shade Black Color For 13/19Klm

Item No: 0039607

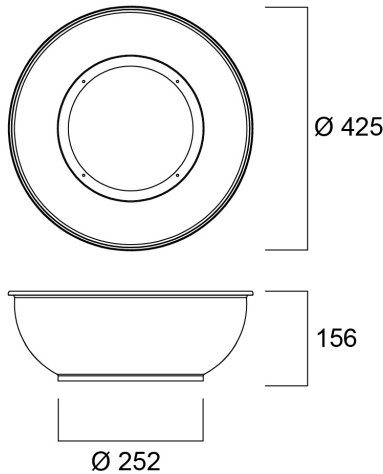
SYLVANIA



Black painted aluminium shade for 13,000 & 19,000Lm Granit.

Technical Assets

Dimensions (mm)



Photometrics

General data

Product name	Alu Shade Black Color For 13/19Klm
Technology	Accessory
General application	Logistics & Industry
ETIM Class	EC002557
E-number FI	4357029
Warranty	5 years

Physical data

Weight (kg)	0.45
-------------	------

Packaging

Product EAN number	5410288396071
Packaging single length / height (cm)	42.5
Packaging single width (cm)	42.5
Packaging single depth (cm)	15.6
DUN14 (inner)	15410288396078
Units per outer package	10
Packaging outer length / height (cm)	50.5
Packaging outer width (cm)	50.5
Packaging outer depth (cm)	34.0