

Sylvania Granit IP65 0-10V 13000lm 840 WB

Item No: 0039733



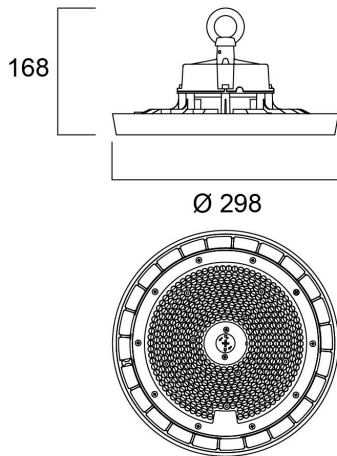
PROTM



Integrated LED highbay; Black aluminium housing; 13000lm; 80 W; 163 Lm/W; 4000K; Drive current: 410mA; CRI 80; 85° beam angle; 0-10V dimmable; IP65; IK08; Lifespan L80:B20 92,000 hrs; (D x H) 298 x 168 mm; 1.5 m mains cable; 1.5 m control cable; 1.2 m chain length including hooks.

Technical Assets

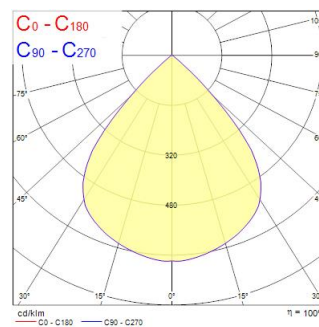
Dimensions (mm)



Photometrics

Distance [m]	Cone diameter [m]	E10%	E50%	E90%	Illuminance [lx]
0.5	0.89	3426	818	710	
1.0	1.79	854	205	178	
1.5	2.68	368	92	79	
2.0	3.58	214	54	48	
2.5	4.47	137	34	30	
3.0	5.36	92	23	20	

Distance [m] Cone diameter [m] Illuminance [lx]
 C0 - C180 (Half beam angle: 83.6°)



Sylvania Granit IP65 0-10V 13000lm 840 WB

Item No: 0039733

SYLVANIA

General data

Product name	Sylvania Granit IP65 0-10V 13000lm 840 WB
Technology	LED
Cap/Base	N/A
General application	Logistics & Industry
Operating temperature range (°C)	-30°C...+50°C
ETIM Class	EC001716
E-number FI	4357099
Warranty	5 years

Optical data

Fixture luminous flux (lm)	13000
Luminaire efficacy (lm/W)	163
Correlated colour temperature (k)	4000
Light colour	Neutral White
CRI (Ra)	80
Colour Variation Initial (SDCM)	SDCM3
Beam Angle (°)	85
Distribution type	Symmetric
Glare control	< 25
Photobiological Risk Group	RG1

Electrical data

Total power consumption (W)	80
Primary Supply/Product voltage - min (V)	220.0
Primary Supply/Product voltage - max (V)	240.0
Lamp power factor	0.95
THD (at 230 V, 50 Hz, full load, at 100% dimming level) ≤ xx.x %	20
Electrical protection	Class I
No. Of switching cycles before premature failures	>100000
Dimmable	Yes
Dimming method	0-10V
Drive current (mA)	410
Inrush Current (A)	80
Inrush Duration (µs)	300
Energy Efficiency Class (A->G) of contained light source	C
Nominal Frequency (Hz)	50/60Hz
LED Flickering Rate	Low (6% - 20%)
Max. products per 10A C Breaker	5
Max. products per 13A C Breaker	6
Max. products per 16A C Breaker	9
Max. products per 20A C Breaker	11
Max. products per 10A B Breaker	3
Max. products per 13A B Breaker	4
Max. products per 16A B Breaker	5
Max. products per 20A B Breaker	6
Mains surge immunity (differential mode -> L-N) (kV)	6
Mains surge immunity (common mode -> L/N - GND) (kV)	6

Lifetime data

Lifespan L70 B50	120000
Lifespan L80 B20	92000
Lifespan L90 B50	51000

Sylvania Granit IP65 0-10V 13000lm 840 WB

Item No: 0039733

SYLVANIA

Physical data

Housing colour	RAL 9017 - Traffic black
IP rating	IP65
IK rating	IK08
Nominal Product Height (mm)	168
Nominal Product Diameter (mm)	298
Weight (kg)	2.243

Packaging

Product EAN number	5410288397337
Packaging single length / height (cm)	32.5
Packaging single width (cm)	32.5
Packaging single depth (cm)	14.5
DUN14 (inner)	05410288397337
Units per outer package	1
Packaging outer length / height (cm)	32.5
Packaging outer width (cm)	32.5
Packaging outer depth (cm)	14.5

Safety data

Glow Wire Test (°C)	850
Optimal operating condition (°C)	-30-50