

Sylvania Granit IP65 0-10V 19500lm 865 WB

Item No: 0039737

SYLVANIA

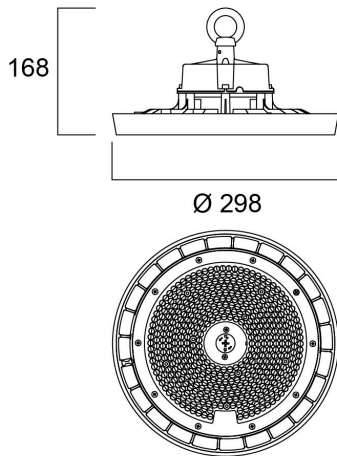
PROTM



Integrated LED highbay; Black aluminium housing; 19500Lm; 120 W; 163 Lm/W; 6500K; Drive current: 470mA; CRI 80; 85° beam angle; 0-10V dimmable; IP65; IK08; Lifespan L80:B20 92,000 hrs; (D x H) 298 x 168 mm; 1.5 m mains cable; 1.5 m control cable; 1.2 m chain length including hooks.

Technical Assets

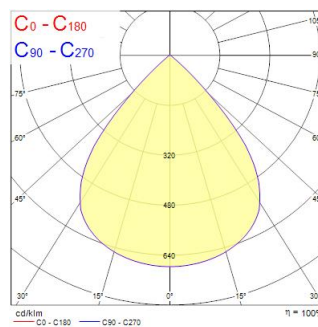
Dimensions (mm)



Photometrics

| Distance [m] | Cone diameter [m] | E10% | E50% | E90% | Illuminance [lx] |
|--------------|-------------------|-------|------|-------|------------------|
| 0.5 | 0.87 | 82787 | 8107 | 11984 | |
| 1.0 | 1.74 | 15187 | 8107 | 2898 | |
| 1.5 | 2.61 | 5885 | 8107 | 1285 | |
| 2.0 | 3.48 | 3299 | 8107 | 711 | |
| 2.5 | 4.35 | 2111 | 8107 | 488 | |
| 3.0 | 5.22 | 1485 | 8107 | 358 | |

Distance [m] Cone diameter [m] Illuminance [lx]
 — C0 - C180 (Half beam angle: 82.0°)



Sylvania Granit IP65 0-10V 19500lm 865 WB

Item No: 0039737

SYLVANIA

General data

| | |
|----------------------------------|---|
| Product name | Sylvania Granit IP65 0-10V 19500lm 865 WB |
| Technology | LED |
| Cap/Base | N/A |
| General application | Logistics & Industry |
| Operating temperature range (°C) | -30°C...+50°C |
| ETIM Class | EC001716 |
| E-number FI | 4357103 |
| Warranty | 5 years |

Optical data

| | |
|-----------------------------------|------------|
| Fixture luminous flux (lm) | 19500 |
| Luminaire efficacy (lm/W) | 163 |
| Correlated colour temperature (k) | 6500 |
| Light colour | Cool White |
| CRI (Ra) | 80 |
| Colour Variation Initial (SDCM) | SDCM3 |
| Beam Angle (°) | 85 |
| Distribution type | Symmetric |
| Glare control | < 25 |
| Photobiological Risk Group | RG1 |

Electrical data

| | |
|--|----------------|
| Total power consumption (W) | 120 |
| Primary Supply/Product voltage - min (V) | 220.0 |
| Primary Supply/Product voltage - max (V) | 240.0 |
| Lamp power factor | 0.95 |
| THD (at 230 V, 50 Hz, full load, at 100% dimming level) ≤ xx.x % | 10 |
| Electrical protection | Class I |
| No. Of switching cycles before premature failures | >100000 |
| Dimmable | Yes |
| Dimming method | 0-10V |
| Drive current (mA) | 470 |
| Inrush Current (A) | 80 |
| Inrush Duration (µs) | 300 |
| Energy Efficiency Class (A->G) of contained light source | C |
| Nominal Frequency (Hz) | 50/60Hz |
| LED Flickering Rate | Low (6% - 20%) |
| Max. products per 10A C Breaker | 5 |
| Max. products per 13A C Breaker | 6 |
| Max. products per 16A C Breaker | 9 |
| Max. products per 20A C Breaker | 11 |
| Max. products per 10A B Breaker | 3 |
| Max. products per 13A B Breaker | 4 |
| Max. products per 16A B Breaker | 5 |
| Max. products per 20A B Breaker | 6 |
| Mains surge immunity (differential mode -> L-N) (kV) | 6 |
| Mains surge immunity (common mode -> L/N - GND) (kV) | 6 |

Lifetime data

| | |
|------------------|--------|
| Lifespan L70 B50 | 120000 |
| Lifespan L80 B20 | 92000 |
| Lifespan L90 B50 | 51000 |

Sylvania Granit IP65 0-10V 19500lm 865 WB

Item No: 0039737

SYLVANIA

Physical data

| | |
|-------------------------------|--------------------------|
| Housing colour | RAL 9017 - Traffic black |
| IP rating | IP65 |
| IK rating | IK08 |
| Nominal Product Height (mm) | 168 |
| Nominal Product Diameter (mm) | 298 |
| Weight (kg) | 2.243 |

Packaging

| | |
|---------------------------------------|----------------|
| Product EAN number | 5410288397375 |
| Packaging single length / height (cm) | 32.5 |
| Packaging single width (cm) | 32.5 |
| Packaging single depth (cm) | 14.5 |
| DUN14 (inner) | 05410288397375 |
| Units per outer package | 1 |
| Packaging outer length / height (cm) | 32.5 |
| Packaging outer width (cm) | 32.5 |
| Packaging outer depth (cm) | 14.5 |

Safety data

| | |
|----------------------------------|--------|
| Glow Wire Test (°C) | 850 |
| Optimal operating condition (°C) | -30-50 |