

# PC Lampshade Transparent for Small Sylvania Granit

Item No: 0039744

**SYLVANIA**

**PRO**<sup>TM</sup>

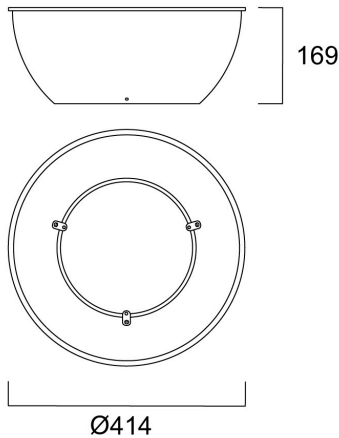
CE UK  
CA



Transparent polycarbonate shade for Small Granit.

## Technical Assets

### Dimensions (mm)



### Photometrics

### General data

Product name	PC Lampshade Transparent for Small Sylvania Granit
Technology	Non - Electrical Device
Type of accessory	Reflector
General application	Logistics & Industry
ETIM Class	EC002557
E-number FI	4357116
Warranty	5 years

### Physical data

Nominal Product Height (mm)	169
Nominal Product Diameter (mm)	414
Weight (kg)	0.513

# PC Lampshade Transparent for Small Sylvania Granit

Item No: 0039744



## Packaging

Product EAN number	5410288397443
Packaging single length / height (cm)	41.4
Packaging single width (cm)	41.4
Packaging single depth (cm)	16.9
DUN14 (inner)	15410288397440
Units per outer package	10
Packaging outer length / height (cm)	42.7
Packaging outer width (cm)	42.7
Packaging outer depth (cm)	61.0