

PC Lampshade Transparent for Large Sylvania Granit

Item No: 0039748

SYLVANIA

PROTM

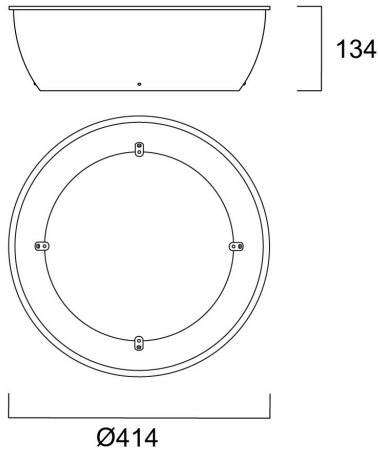
**CE UK
CA**



Transparent polycarbonate shade for Large Granit.

Technical Assets

Dimensions (mm)



Photometrics

General data

Product name	PC Lampshade Transparent for Large Sylvania Granit
Technology	Non - Electrical Device
Type of accessory	Reflector
General application	Logistics & Industry
ETIM Class	EC002557
E-number FI	4357120
Warranty	5 years

Physical data

Nominal Product Height (mm)	134
Nominal Product Diameter (mm)	414
Weight (kg)	0.427

PC Lampshade Transparent for Large Sylvania Granit

Item No: 0039748

SYLVANIA

Packaging

Product EAN number	5410288397481
Packaging single length / height (cm)	41.4
Packaging single width (cm)	41.4
Packaging single depth (cm)	13.4
DUN14 (inner)	15410288397488
Units per outer package	10
Packaging outer length / height (cm)	42.7
Packaging outer width (cm)	42.7
Packaging outer depth (cm)	56.0