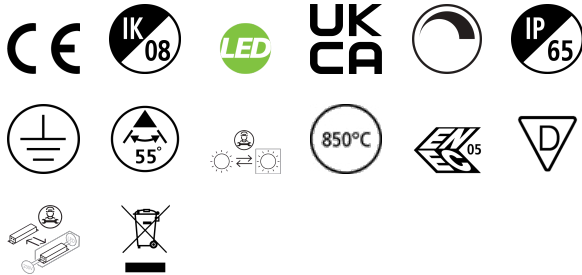


Sylvania Granit IP65 DALI 19500lm 840 MB

Item No: 0039750

SYLVANIA

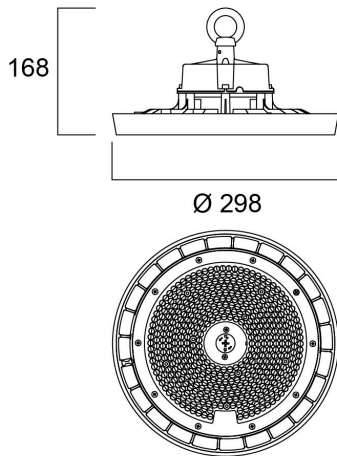
PROTM



Integrated LED highbay; Black aluminium housing; 19500lm; 120 W; 163 Lm/W; 4000K; Drive current: 470mA; CRI 80; 55° beam angle; DALI dimmable; IP65; IK08; Lifespan L80:B20 92,000 hrs; (D x H) 298 x 168 mm; 1.5 m mains cable; 1.5 m control cable; 1.2 m chain length including hooks.

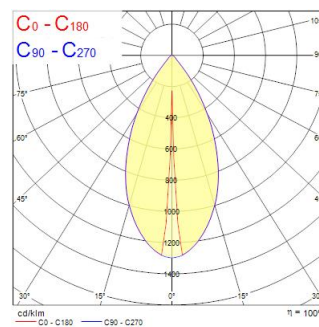
Technical Assets

Dimensions (mm)



Photometrics

Distance [m]	Cone diameter [m]	Beam diameter [m]	Beam angle [°]	Beam angle [°]	Illuminance [lx]
0.5	0.48	0.48	51.2°	25.6°	1733
			E(C90)	25.6°	3723
			E(C0)	25.6°	3685
1.0	0.96	0.97	51.2°	25.6°	429
			E(C90)	25.6°	851
			E(C0)	25.6°	814
1.5	1.44	1.45	51.2°	25.6°	199
			E(C90)	25.6°	417
			E(C0)	25.6°	407
2.0	1.92	1.93	51.2°	25.6°	112
			E(C90)	25.6°	233
			E(C0)	25.6°	224
2.5	2.40	2.42	51.2°	25.6°	76
			E(C90)	25.6°	148
			E(C0)	25.6°	143
3.0	2.87	2.90	51.2°	25.6°	49
			E(C90)	25.6°	107
			E(C0)	25.6°	103



Sylvania Granit IP65 DALI 19500lm 840 MB

Item No: 0039750

SYLVANIA

General data

Product name	Sylvania Granit IP65 DALI 19500lm 840 MB
Technology	LED
Cap/Base	N/A
General application	Logistics & Industry
Operating temperature range (°C)	-30°C...+50°C
ETIM Class	EC001716
Warranty	5 years

Optical data

Fixture luminous flux (lm)	19500
Luminaire efficacy (lm/W)	163
Correlated colour temperature (k)	4000
Light colour	Neutral White
CRI (Ra)	80
Colour Variation Initial (SDCM)	SDCM3
Beam Angle (°)	55
Distribution type	Symmetric
Glare control	< 22
Photobiological Risk Group	RG1

Electrical data

Total power consumption (W)	120
Primary Supply/Product voltage - min (V)	220.0
Primary Supply/Product voltage - max (V)	240.0
Lamp power factor	0.95
THD (at 230 V, 50 Hz, full load, at 100% dimming level) ≤ xx.x %	15
Electrical protection	Class I
No. Of switching cycles before premature failures	>100000
Dimmable	Yes
Dimming method	DALI-2
Drive current (mA)	470
Inrush Current (A)	77
Inrush Duration (µs)	102
Energy Efficiency Class (A->G) of contained light source	C
Nominal Frequency (Hz)	50/60Hz
LED Flickering Rate	Low (6% - 20%)
Max. products per 10A C Breaker	16
Max. products per 13A C Breaker	20
Max. products per 16A C Breaker	27
Max. products per 20A C Breaker	32
Max. products per 10A B Breaker	10
Max. products per 13A B Breaker	12
Max. products per 16A B Breaker	16
Max. products per 20A B Breaker	20
Mains surge immunity (differential mode -> L-N) (kV)	6
Mains surge immunity (common mode -> L/N - GND) (kV)	6

Lifetime data

Lifespan L70 B50	120000
Lifespan L80 B20	92000
Lifespan L90 B50	51000

Sylvania Granit IP65 DALI 19500lm 840 MB

Item No: 0039750

SYLVANIA

Physical data

Housing colour	RAL 9017 - Traffic black
IP rating	IP65
IK rating	IK08
Nominal Product Height (mm)	168
Nominal Product Diameter (mm)	298
Weight (kg)	2.18

Packaging

Product EAN number	5410288397504
Packaging single length / height (cm)	32.5
Packaging single width (cm)	32.5
Packaging single depth (cm)	14.5
DUN14 (inner)	05410288397504
Units per outer package	1
Packaging outer length / height (cm)	32.5
Packaging outer width (cm)	32.5
Packaging outer depth (cm)	14.5

Safety data

Glow Wire Test (°C)	850
Optimal operating condition (°C)	-30-50