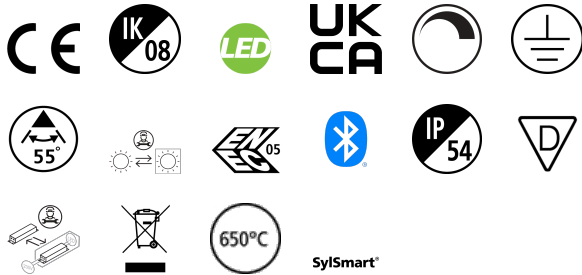


# GRANIT IP54 13000LM 840 MB SSA

Item No: 0039766

**SYLVANIA**

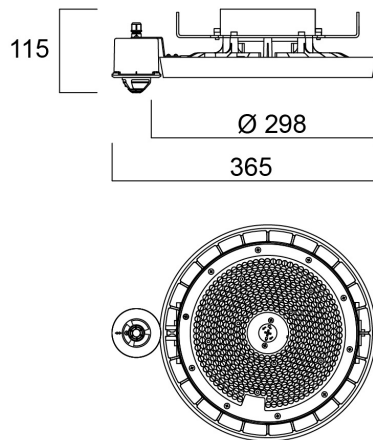
**PRO**<sup>TM</sup>



Integrated LED highbay; Black aluminium housing; 13000 Lm; 80 W; 163 Lm/W; 4000K; Drive current: 1560mA; CRI 80; 55° beam angle; Sylsmart SSA - Connected; IP54; Lifespan L80:B20 92,000 hrs; suspension wires included.

## Technical Assets

### Dimensions (mm)

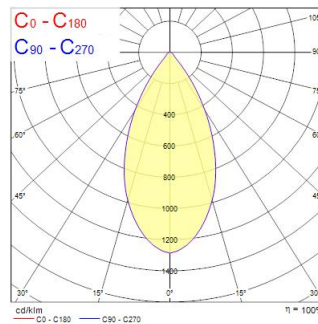


### Photometrics

0.5	0.48	E107 E109	28.8° 24.68
1.0	0.96	E107 E109	28.8° 9107
1.5	1.44	E107 E109	28.8° 2738
2.0	1.92	E107 E109	28.8° 1954
2.5	2.40	E107 E109	28.8° 1563
3.0	2.87	E107 E109	28.8° 1321

Distance [m]    Cone diameter [m]    Illuminance [lx]

— C0 - C180 (Half beam angle: 51.2°)



# GRANIT IP54 13000LM 840 MB SSA

Item No: 0039766

**SYLVANIA**

## General data

Product name	GRANIT IP54 13000LM 840 MB SSA
Technology	LED
Cap/Base	N/A
Mount	Ceiling surface mounting, Suspended
General application	Logistics & Industry
Operating temperature range (°C)	-20°C...+40°C
ETIM Class	EC001716
E-number FI	4357110
Warranty	5 years

## Optical data

Fixture luminous flux (lm)	13000
Luminaire efficacy (lm/W)	163
Correlated colour temperature (k)	4000
Light colour	Neutral White
CRI (Ra)	80
Colour Variation Initial (SDCM)	SDCM3
Beam Angle (°)	55
Distribution type	Symmetric
Glare control	< 22
Photobiological Risk Group	RG1

## Electrical data

Total power consumption (W)	80
Primary Supply/Product voltage - min (V)	220.0
Primary Supply/Product voltage - max (V)	240.0
Lamp power factor	0.90
THD (at 230 V, 50 Hz, full load, at 100% dimming level) ≤ xx.x %	10
Electrical protection	Class I
Control gear type	LED driver constant current
No. Of switching cycles before premature failures	>100000
Dimmable	Yes
Dimming method	SylSmart Connected (SSA)
Drive current (mA)	1560
Inrush Current (A)	123
Inrush Duration (µs)	132
Energy Efficiency Class (A->G) of contained light source	C
Nominal Frequency (Hz)	50/60Hz
LED Flickering Rate	Low (6% - 20%)
Max. products per 10A C Breaker	8
Max. products per 13A C Breaker	9
Max. products per 16A C Breaker	14
Max. products per 20A C Breaker	17
Max. products per 10A B Breaker	5
Max. products per 13A B Breaker	7
Max. products per 16A B Breaker	8
Max. products per 20A B Breaker	10
Mains surge immunity (differential mode -> L-N) (kV)	6
Mains surge immunity (common mode -> L/N - GND) (kV)	10

# GRANIT IP54 13000LM 840 MB SSA

Item No: 0039766

**SYLVANIA**

## Lifetime data

Lifespan L70 B50	120000
Lifespan L70 B20	120000
Lifespan L70 B10	120000
Lifespan L80 B50	107000
Lifespan L80 B20	92000
Lifespan L80 B10	85000
Lifespan L90 B50	51000
Lifespan L90 B20	44000
Lifespan L90 B10	41000

## Physical data

Housing colour	RAL 9017 - Traffic black
IP rating	IP54
IK rating	IK08
IK rating of sensor	IK03
Nominal Product Height (mm)	168
Nominal Product Diameter (mm)	298
Weight (kg)	2.908

## Packaging

Product EAN number	5410288397665
Packaging single length / height (cm)	32.5
Packaging single width (cm)	32.5
Packaging single depth (cm)	13.0
DUN14 (inner)	05410288397665
Units per outer package	1
Packaging outer length / height (cm)	32.5
Packaging outer width (cm)	32.5
Packaging outer depth (cm)	13.0

## Safety data

Glow Wire Test (°C)	650
Optimal operating condition (°C)	-20-40