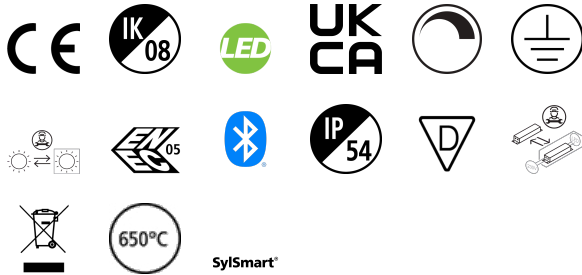


# Sylvania GRANIT IP54 19500LM 840 WB SSA

Item No: 0039770

**SYLVANIA**

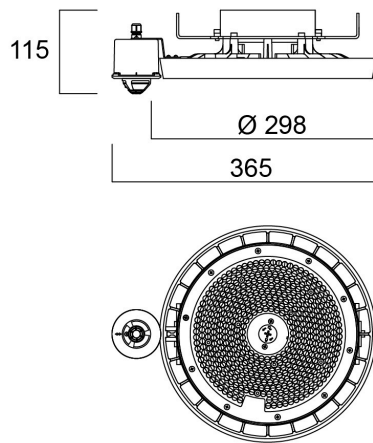
**PRO**<sup>TM</sup>



Integrated LED highbay; Black aluminium housing; 19500 Lm; 120 W; 163 Lm/W; 4000K; Drive current: 2350mA; CRI 80; 85° beam angle; Sylsmart SSA - Connected; IP54; Lifespan L80:B20 92,000 hrs; suspension wires included. Lampshades cannot be used for Granit SSA luminaires, as it disturbs the signal for the sensor.

## Technical Assets

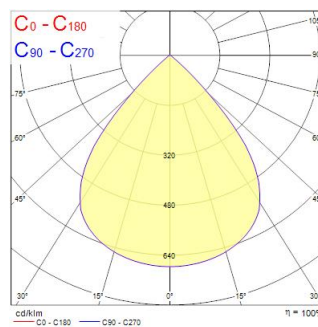
### Dimensions (mm)



### Photometrics

Distance [m]	Cone diameter [m]	E10%	E50%	E90%	Illuminance [lx]
0.5	0.87	82787	8200	4100	11084
1.0	1.74	15187	8200	4100	2668
1.5	2.61	5866	8200	4100	1266
2.0	3.48	3299	8200	4100	711
2.5	4.35	2111	8200	4100	458
3.0	5.22	1486	8200	4100	316

Distance [m] Cone diameter [m] Illuminance [lx]  
 — C0 - C180 (Half beam angle: 82.0°)



# Sylvania GRANIT IP54 19500LM 840 WB SSA

Item No: 0039770

**SYLVANIA**

## General data

Product name	Sylvania GRANIT IP54 19500LM 840 WB SSA
Technology	LED
Cap/Base	N/A
General application	Logistics & Industry
Operating temperature range (°C)	-20°C...+40°C
ETIM Class	EC001716
Warranty	5 years

## Optical data

Fixture luminous flux (lm)	19500
Luminaire efficacy (lm/W)	163
Correlated colour temperature (k)	4000
Light colour	Neutral White
CRI (Ra)	80
Colour Variation Initial (SDCM)	SDCM3
Beam Angle (°)	85
Distribution type	Symmetric
Glare control	< 25
Photobiological Risk Group	RG1

## Electrical data

Total power consumption (W)	120
Primary Supply/Product voltage - min (V)	220.0
Primary Supply/Product voltage - max (V)	240.0
Lamp power factor	0.90
THD (at 230 V, 50 Hz, full load, at 100% dimming level) ≤ xx.x %	10
Electrical protection	Class I
No. Of switching cycles before premature failures	>100000
Dimmable	Yes
Dimming method	SylSmart Connected (SSA)
Drive current (mA)	2350
Inrush Current (A)	125
Inrush Duration (µs)	122
Energy Efficiency Class (A->G) of contained light source	C
Nominal Frequency (Hz)	50/60Hz
LED Flickering Rate	Low (6% - 20%)
Max. products per 10A C Breaker	9
Max. products per 13A C Breaker	11
Max. products per 16A C Breaker	15
Max. products per 20A C Breaker	19
Max. products per 10A B Breaker	6
Max. products per 13A B Breaker	7
Max. products per 16A B Breaker	9
Max. products per 20A B Breaker	12
Mains surge immunity (differential mode -> L-N) (kV)	6
Mains surge immunity (common mode -> L/N - GND) (kV)	10

## Lifetime data

Lifespan L70 B50	120000
Lifespan L80 B20	92000
Lifespan L90 B50	51000

# Sylvania GRANIT IP54 19500LM 840 WB SSA

Item No: 0039770



## Physical data

Housing colour	RAL 9017 - Traffic black
IP rating	IP54
IK rating	IK08
IK rating of sensor	IK03
Nominal Product Height (mm)	168
Nominal Product Diameter (mm)	298
Weight (kg)	2.908

## Packaging

Product EAN number	5410288397702
Packaging single length / height (cm)	32.5
Packaging single width (cm)	32.5
Packaging single depth (cm)	13.0
DUN14 (inner)	05410288397702
Units per outer package	1
Packaging outer length / height (cm)	32.5
Packaging outer width (cm)	32.5
Packaging outer depth (cm)	13.0

## Safety data

Glow Wire Test (°C)	650
Optimal operating condition (°C)	-20-40