

SylSafe Spot RA R EM3 NM DA

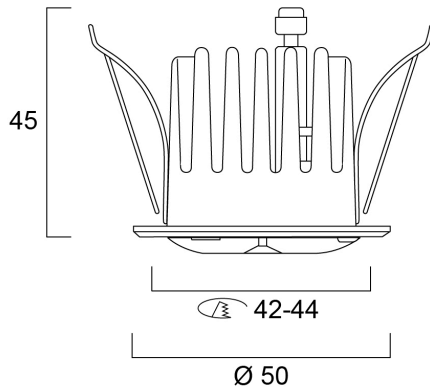
Item No: 0041721



SylSafe Spot RA R EM3 NM DA is a miniature emergency recessed downlight with interchangeable optics for open area and escape route illumination. Non-maintained 3 hr emergency duration with NiMH rechargeable battery. Recharge period 24 hours. Self testing with DALI monitoring capability. Quick and easy installation with driver module and battery pack contained in articulated case that can pass through 40mm cutout. 160lm, 3W, IK03, IP30. Power Factor 0.45. Class II electrical construction.

Technical Assets

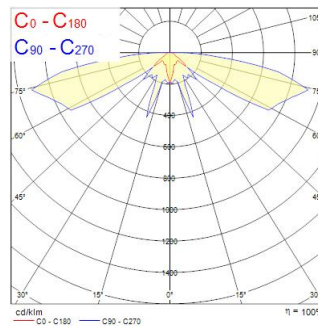
Dimensions (mm)



Photometrics

| Distance [m] | Cone diameter [m] | Beam diameter [m] | Beam diameter [m] | Illuminance [lx] |
|--------------|-------------------|-------------------|-------------------|------------------|
| 0.5 | 0.14 1.43 | 0.07 | 0.07 | 133 |
| 1.0 | 0.29 2.87 | 0.14 | 0.14 | 33 |
| 1.5 | 0.43 4.30 | 0.21 | 0.21 | 14 |
| 2.0 | 0.58 5.73 | 0.28 | 0.28 | 8 |
| 2.5 | 0.72 7.17 | 0.35 | 0.35 | 5 |
| 3.0 | 0.87 8.60 | 0.42 | 0.42 | 3 |

Distance [m] Cone diameter [m] Illuminance [lx]
 — C0 - C180 (Half beam angle: 110.2°)
 — C90 - C270 (Half beam angle: 166.0°)



SylSafe Spot RA R EM3 NM DA

Item No: 0041721

SYLVANIA

General data

| | |
|---------------------|---|
| Product name | SylSafe Spot RA R EM3 NM DA |
| Technology | LED |
| Mount | Ceiling recessed mounting |
| General application | Office, Hospitality, Retail, Museums & Galleries, Education |
| ETIM Class | EC001957 |
| Warranty | 5 years |

Optical data

| | |
|-----------------------------------|------|
| Fixture luminous flux (lm) | 160 |
| Luminaire efficacy (lm/W) | 53 |
| Correlated colour temperature (k) | 6300 |
| CRI (Ra) | 75 |
| Photobiological Risk Group | RG2 |
| Luminous flux (emergency) (lm) | 160 |

Electrical data

| | |
|--|----------|
| Emergency duration (h) | 3 |
| Primary Supply/Product voltage - min (V) | 220 |
| Primary Supply/Product voltage - max (V) | 240 |
| Lamp power factor | 0.45 |
| Electrical protection | Class II |
| Control gear required | Yes |
| Drive current (mA) | 30 |
| Nominal Frequency (Hz) | 50/60Hz |

Physical data

| | |
|-----------------------------|-------|
| Housing colour | White |
| IP rating | IP30 |
| IK rating | IK03 |
| Nominal Product Length (mm) | 50 |
| Nominal Product Width (mm) | 50 |
| Nominal Product Height (mm) | 45 |
| Weight (kg) | 0.32 |

Packaging

| | |
|---------------------------------------|----------------|
| Product EAN number | 5410288417219 |
| Packaging single length / height (cm) | 21.0 |
| Packaging single width (cm) | 9.3 |
| Packaging single depth (cm) | 4.7 |
| DUN14 (inner) | 05410288417219 |
| DUN14 (outer) | 05410288417219 |
| Units per outer package | 25 |
| Packaging outer length / height (cm) | 42.4 |
| Packaging outer width (cm) | 29.8 |
| Packaging outer depth (cm) | 28.0 |