

START SURFACE IP66 2500LM 840 MW SENS IK10 WHT

Item No: 0049021

SYLVANIA

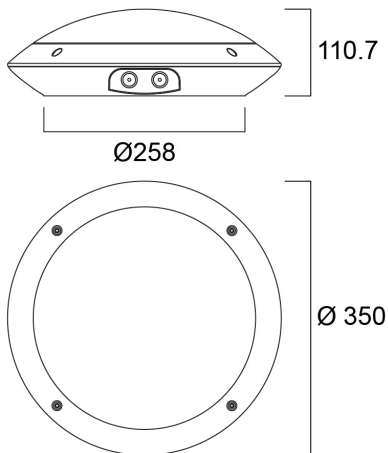
STARTTM



Sensor Dim LED exterior surface mounted luminaire, 350mm diameter, 2500lm as max. lumen output, can be adjusted down to 1750lm by internal switch, 25W max. power consumption, 100lm/W efficacy, 4000K color temperature, CRI80, IP66, IK10, 50,000 hours (L70), whitehousing, vandal resistant. Integrated Microwave occupancy sensor with daylight harvest, dimming and corridor function, supplied with anti-theft screws

Technical Assets

Dimensions (mm)

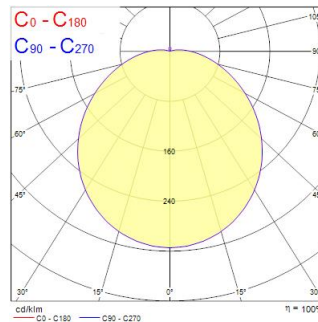


Photometrics

Distance [m]	Cone diameter [m]	E10'	E30'	200'
0.5	1.51	510'	50.0'	220'
1.0	3.02	510'	50.0'	55'
1.5	4.53	510'	50.0'	24'
2.0	6.04	510'	50.0'	13'
2.5	7.55	510'	50.0'	7'
3.0	9.07	510'	50.0'	5'

Distance [m] Cone diameter [m] Illuminance [lx]

— C0 - C180 (Half beam angle: 113.0°)



START SURFACE IP66 2500LM 840 MW SENS IK10 WHT

Item No: 0049021

SYLVANIA

General data

Product name	START SURFACE IP66 2500LM 840 MW SENS IK10 WHT
Technology	LED
Cap/Base	N/A
Housing	PC Polycarbonate
Mount	Ceiling surface mounting, Wall surface mounted
Built in presence detector	MICROWAVE
Environment	Indoor, Outdoor
General application	Hospitality
Operating temperature range (°C)	0°C...+25°C
Performance ambient temperature Tq (°C)	25
ETIM Class	EC002892
E-number FI	4579496
Warranty	5 years

Optical data

Fixture luminous flux (lm)	2500
Luminaire efficacy (lm/W)	100
LOR (%)	100
Correlated colour temperature (k)	4000
Colour Code	840
Light colour	Neutral White
CRI (Ra)	80
Colour Variation Initial (SDCM)	SDCM6
Adjustable chromaticity	N
Beam Angle (°)	120
Glare control	< 26
Photobiological Risk Group	RG0
Lumen maintenance at end of nominal life (%)	70

Electrical data

Total power consumption (W)	25
Primary Supply/Product voltage - min (V)	198.0
Primary Supply/Product voltage - max (V)	264.0
Lamp power factor	1
Electrical protection	Class II
Control gear required	No
Control gear type	LED driver constant current
Control gear mounting	Integrated
Dimmable	Yes
Dimming method	Other
Drive current (mA)	700
Inrush Current (A)	49
Inrush Duration (µs)	31
Energy Efficiency Class (A->G) of contained light source	D
Nominal Frequency (Hz)	50/60Hz
LED Flickering Rate	Ultra low (5% or less)
Max. products per 10A C Breaker	41
Max. products per 13A C Breaker	53
Max. products per 16A C Breaker	66
Max. products per 20A C Breaker	82
Max. products per 10A B Breaker	20
Max. products per 13A B Breaker	31
Max. products per 16A B Breaker	39
Max. products per 20A B Breaker	48
Connectable conductor cross section - Min (mm ²)	0.75
Connectable conductor cross section - Max (mm ²)	2.5

Lifetime data

Lifespan L70 B50 | 50000

START SURFACE IP66 2500LM 840 MW SENS IK10 WHT

Item No: 0049021

SYLVANIA

Physical data

Housing colour	RAL 9003 - Signal white
IP rating	IP66
IK rating	IK10
Diffuser finish	Opal
Diffuser material	PC Polycarbonate
Nominal Product Height (mm)	111
Nominal Product Diameter (mm)	350
Weight (kg)	1.2

Packaging

Product EAN number	5410288490212
Packaging single length / height (cm)	40.0
Packaging single width (cm)	40.0
Packaging single depth (cm)	11.0
DUN14 (inner)	05410288490212
Units per outer package	1
Packaging outer length / height (cm)	40.0
Packaging outer width (cm)	40.0
Packaging outer depth (cm)	11.0