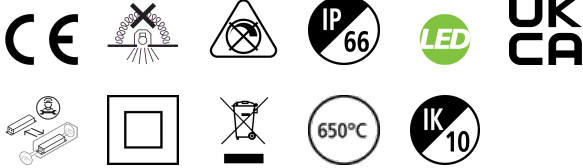


START Surface IP66 860-2800LM 830 IK10 WHT

Item No: 0049292

SYLVANIA

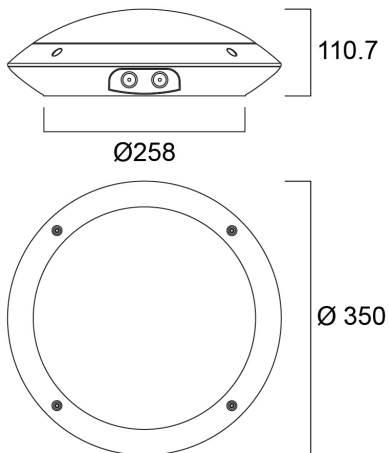
STARTTM



LED exterior surface mounted luminaire, 350mm diameter, 2800lm as max. lumen output, can be adjusted down to 860lm by internal switch, max 24W power consumption, max 128lm/W efficacy, 3000K color temperature, CRI80, non-dimmable, IP66, IK10, 100,000 hours (L70B50) Lifespan, white housing, vandal resistant, supplied with anti-theft screws

Technical Assets

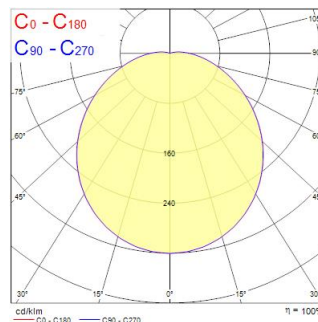
Dimensions (mm)



Photometrics

Distance [m]	Cone diameter [m]	E1/F1	E2/C2	E3/F3	E4/C4	E5/F5	E6/C6	E7/F7	E8/C8	E9/F9	E10/C10	Beam angle [°]	Illuminance [lx]
0.5	1.45	1133	553	279	144	72	36	18	9	4.5	2.25	11.25°	97
1.0	2.90	279	139	69	36	18	9	4.5	2.25	1.125	0.5625	22.5°	24
1.5	4.35	133	66	33	17	8.5	4.25	2.125	1.0625	0.53125	0.265625	33.7°	11
2.0	5.80	89	44	22	11	5.5	2.75	1.375	0.6875	0.34375	0.171875	45.0°	6
2.5	7.25	44	22	11	5.5	2.75	1.375	0.6875	0.34375	0.171875	0.0859375	56.2°	4
3.0	8.70	31	15.5	7.75	3.875	1.9375	0.96875	0.484375	0.2421875	0.12109375	0.060546875	67.5°	3

Distance [m] Cone diameter [m] Illuminance [lx]
 — C0 - C180 (Half beam angle: 112.2°)
 — C90 - C270 (Half beam angle: 111.9°)



START Surface IP66 860-2800LM 830 IK10 WHT

Item No: 0049292

SYLVANIA

General data

Product name	START Surface IP66 860-2800LM 830 IK10 WHT
Technology	LED
Cap/Base	N/A
Housing	PC Polycarbonate
Mount	Ceiling surface mounting, Wall surface mounted
Built in presence detector	NONE
Environment	Indoor, Outdoor
General application	Hospitality
Operating temperature range (°C)	-20°C...+40°C
Performance ambient temperature Tq (°C)	25
Virtual assistant compatibility	N/A
ETIM Class	EC002892
E-number FI	4579593
Warranty	5 years

Optical data

Fixture luminous flux (lm)	2800
Luminaire efficacy (lm/W)	117
Correlated colour temperature (k)	3000
Light colour	Warm White
CRI (Ra)	80
Colour Variation Initial (SDCM)	SDCM5
Distribution type	Diffuse, Symmetric
Photobiological Risk Group	RG0

Electrical data

Total power consumption (W)	24
Primary Supply/Product voltage - min (V)	220.0
Primary Supply/Product voltage - max (V)	240.0
Lamp power factor	0.95
THD (at 230 V, 50 Hz, full load, at 100% dimming level) ≤ xx.x %	15
Electrical protection	Class II
Control gear type	LED driver constant current
No. Of switching cycles before premature failures	>50000
Dimmable	No
Dimming method	N/A
Inrush Current (A)	10
Energy Efficiency Class (A->G) of contained light source	D
Nominal Frequency (Hz)	50/60Hz
Max. products per 10A C Breaker	38
Max. products per 13A C Breaker	47
Max. products per 16A C Breaker	57
Max. products per 20A C Breaker	66
Max. products per 10A B Breaker	30
Max. products per 13A B Breaker	38
Max. products per 16A B Breaker	45
Connectable conductor cross section - Max (mm ²)	2.5

Lifetime data

Lifespan L70 B50	100000
Lifespan L80 B50	100000
Lifespan L90 B50	71000

START Surface IP66 860-2800LM 830 IK10 WHT

Item No: 0049292

SYLVANIA

Physical data

Housing colour	RAL 9003 - Signal white
IP rating	IP66
IK rating	IK10
Diffuser finish	Diffuse
Diffuser material	PC Polycarbonate
Nominal Product Height (mm)	111
Nominal Product Diameter (mm)	350
Weight (kg)	1.25

Packaging

Product EAN number	5410288492926
Packaging single length / height (cm)	35.0
Packaging single width (cm)	35.0
Packaging single depth (cm)	11.1
DUN14 (inner)	15410288492923
Units per outer package	8
Packaging outer length / height (cm)	72.0
Packaging outer width (cm)	37.0
Packaging outer depth (cm)	49.0

Safety data

Glow Wire Test (°C)	650
Optimal operating condition (°C)	-20-40