

START SURFACE IP66 1250LM 840 IK10 WHT

Item No: 0049929

SYLVANIA

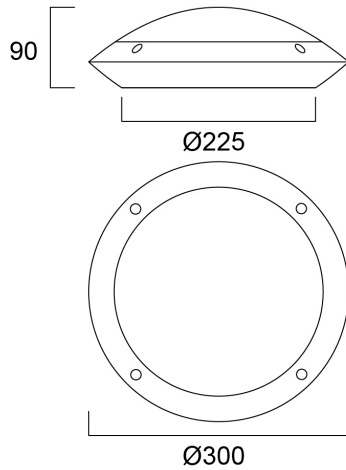
STARTTM



LED exterior surface mounted luminaire, 1250lm, 12W power consumption, 104lm/W efficacy, 4000K color temperature, CRI80, non-dimmable, IP66, IK10, 90,000 hours (L70B50) Lifespan, white housing, vandal resistant, supplied with anti-theft screws

Technical Assets

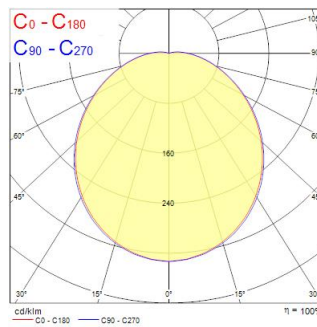
Dimensions (mm)



Photometrics

Distance [m]	Cone diameter [m]	Beam diameter [m]	Beam diameter [m]	Illuminance [lx]
0.5	1.42 1.38	Ø170	Ø170	1988 189
1.0	2.85 2.76	Ø340	Ø340	497 47
1.5	4.27 4.17	Ø510	Ø510	188 18
2.0	5.69 5.57	Ø680	Ø680	104 10
2.5	7.11 6.96	Ø850	Ø850	67 7
3.0	8.54 8.35	Ø1020	Ø1020	48 5

Distance [m] Cone diameter [m] Illuminance [lx]
 — C0 - C180 (Half beam angle: 108.0°)
 — C90 - C270 (Half beam angle: 108.0°)



START SURFACE IP66 1250LM 840 IK10 WHT

Item No: 0049929

SYLVANIA

General data

Product name	START SURFACE IP66 1250LM 840 IK10 WHT
Technology	LED
Cap/Base	N/A
Housing	PC Polycarbonate
Mount	Ceiling surface mounting, Wall surface mounted
Built in presence detector	NONE
Environment	Indoor, Outdoor
General application	Hospitality
Operating temperature range (°C)	-20°C...+40°C
Performance ambient temperature Tq (°C)	25
Virtual assistant compatibility	N/A
ETIM Class	EC002892
E-number FI	4579600
Warranty	5 years

Optical data

Fixture luminous flux (lm)	1250
Luminaire efficacy (lm/W)	105
Correlated colour temperature (k)	4000
Light colour	Neutral White
CRI (Ra)	80
Colour Variation Initial (SDCM)	SDCM5
Distribution type	Diffuse, Symmetric
Photobiological Risk Group	RG0

Electrical data

Total power consumption (W)	12
Primary Supply/Product voltage - min (V)	220.0
Primary Supply/Product voltage - max (V)	240.0
Lamp power factor	0.83
THD (at 230 V, 50 Hz, full load, at 100% dimming level) ≤ xx.x %	15
Electrical protection	Class II
Control gear type	LED driver constant current
No. Of switching cycles before premature failures	>50000
Dimmable	No
Dimming method	N/A
Inrush Current (A)	20
Energy Efficiency Class (A->G) of contained light source	E
Nominal Frequency (Hz)	50/60Hz
Max. products per 10A C Breaker	38
Max. products per 13A C Breaker	47
Max. products per 16A C Breaker	57
Max. products per 20A C Breaker	66
Max. products per 10A B Breaker	30
Max. products per 13A B Breaker	38
Max. products per 16A B Breaker	45
Connectable conductor cross section - Max (mm ²)	2.5

Lifetime data

Lifespan L70 B50	90000
Lifespan L80 B50	78000

START SURFACE IP66 1250LM 840 IK10 WHT

Item No: 0049929

SYLVANIA

Physical data

Housing colour	RAL 9003 - Signal white
IP rating	IP66
IK rating	IK10
Diffuser finish	Diffuse
Diffuser material	PC Polycarbonate
Nominal Product Height (mm)	90
Nominal Product Diameter (mm)	300
Weight (kg)	0.78

Packaging

Product EAN number	5410288499291
Packaging single length / height (cm)	30.2
Packaging single width (cm)	9.9
Packaging single depth (cm)	30.5
DUN14 (inner)	15410288499298
Units per outer package	6
Packaging outer length / height (cm)	61.5
Packaging outer width (cm)	31.0
Packaging outer depth (cm)	32.0

Safety data

Glow Wire Test (°C)	650
Optimal operating condition (°C)	-20-40