

START SURFACE IP66 1500LM 840 MW SENS EM3 IK10 BLK

Item No: 0098605

SYLVANIA

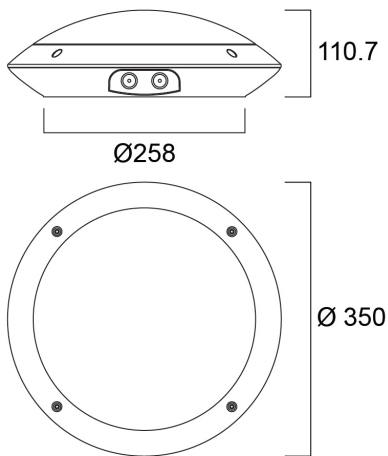
STARTTM



Sensor Dim LED exterior surface mounted luminaire, 350mm diameter, 1500lm as max. lumen output, can be adjusted down to 1450lm by internal switch, 14W max. power consumption, 107lm/W efficacy, 4000K color temperature, CRI80, IP66, IK10, 50,000 hours (L70), black housing, vandal resistant. Integrated Microwave occupancy sensor with daylight harvest, dimming and corridor function. Integrated emergency, 3 hours, supplied with anti-theft screws

Technical Assets

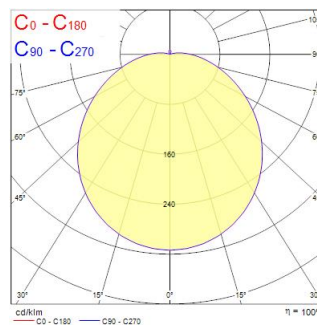
Dimensions (mm)



Photometrics

Distance [m]	Cone diameter [m]	Beam diameter [m]	Beam diameter [m]	Illuminance [lx]
0.5	1.52	Ø171	Ø271	1945
1.0	3.04	Ø171	Ø271	486
1.5	4.57	Ø171	Ø271	216
2.0	6.09	Ø171	Ø271	132
2.5	7.61	Ø171	Ø271	72
3.0	9.13	Ø171	Ø271	54

Distance [m] Cone diameter [m] Illuminance [lx]
 — C0 - C180 (Half beam angle: 113.4°)



START SURFACE IP66 1500LM 840 MW SENS EM3 IK10 BLK

Item No: 0098605

SYLVANIA

General data

Product name	START SURFACE IP66 1500LM 840 MW SENS EM3 IK10 BLK
Technology	LED
Cap/Base	N/A
Housing	PC Polycarbonate
Mount	Ceiling surface mounting, Wall surface mounted
Built in presence detector	MICROWAVE
Environment	Indoor, Outdoor
General application	Hospitality
Operating temperature range (°C)	25°C...+25°C
Performance ambient temperature Tq (°C)	25
Virtual assistant compatibility	N/A
ETIM Class	EC002892
Warranty	5 years

Optical data

Fixture luminous flux (lm)	1500
Luminaire efficacy (lm/W)	84
LOR (%)	100
Correlated colour temperature (k)	4000
Colour Code	840
Light colour	Neutral White
CRI (Ra)	80
Colour Variation Initial (SDCM)	SDCM6
Adjustable chromaticity	N
Beam Angle (°)	120
Distribution type	Symmetric
Glare control	< 25
Photobiological Risk Group	RG0
Lumen maintenance at end of nominal life (%)	70
Luminous flux (emergency) (lm)	124

Electrical data

Emergency mode	Non maintained
Emergency type	
Emergency duration (h)	3
Total power consumption (W)	18
Primary Supply/Product voltage - min (V)	198.0
Primary Supply/Product voltage - max (V)	264.0
Lamp power factor	1
THD (at 230 V, 50 Hz, full load, at 100% dimming level) ≤ xx.x %	1
Electrical protection	Class II
Control gear required	No
Control gear type	LED driver constant current
Control gear mounting	Integrated
Dimmable	Yes
Dimming method	SylSmart Standalone (SSC)
Drive current (mA)	350
Inrush Current (A)	45
Inrush Duration (µs)	32
Energy Efficiency Class (A->G) of contained light source	D
Nominal Frequency (Hz)	50/60Hz
LED Flickering Rate	Ultra low (5% or less)
Max. products per 10A C Breaker	45
Max. products per 13A C Breaker	58
Max. products per 16A C Breaker	72
Max. products per 20A C Breaker	90
Max. products per 10A B Breaker	22
Max. products per 13A B Breaker	35
Max. products per 16A B Breaker	43
Max. products per 20A B Breaker	53
Connectable conductor cross section - Min (mm ²)	0.75
Connectable conductor cross section - Max (mm ²)	2.5

START SURFACE IP66 1500LM 840 MW SENS EM3 IK10 BLK

Item No: 0098605

SYLVANIA

Lifetime data

Lifespan L70 B50	50000
------------------	-------

Physical data

Housing colour	RAL 9011 - Graphite black
IP rating	IP66
IK rating	IK10
Diffuser finish	Opal
Diffuser material	PC Polycarbonate
Nominal Product Height (mm)	111
Nominal Product Diameter (mm)	350
Weight (kg)	1.3

Packaging

Product EAN number	5410288986050
Packaging single length / height (cm)	40.0
Packaging single width (cm)	40.0
Packaging single depth (cm)	11.0
DUN14 (inner)	05410288986050
Units per outer package	1
Packaging outer length / height (cm)	40.0
Packaging outer width (cm)	40.0
Packaging outer depth (cm)	11.0

Safety data

Glow Wire Test (°C)	650
Optimal operating condition (°C)	25-25