

Solstice 150 1450lm LUMI 930 DALI

Item No: 2070141

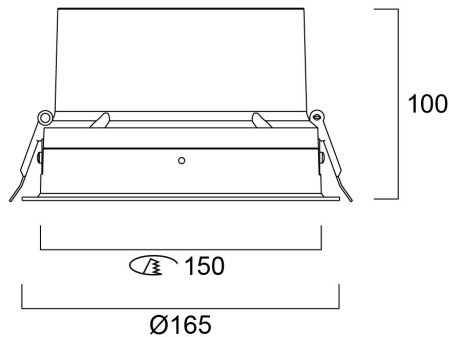
Concord



The Solstice 150 1450lm LUMI 930 DALI is a high efficient DALI dimmable downlight luminaire, Colour rendering index Ra>97, Colour temperature: 3000K Warm White, Class II, Protection rating IP40/IP20, Cut out dimensions: 150mm.Melanopic Ratio /MEER 0.609

Technical Assets

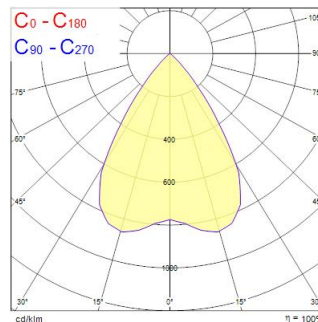
Dimensions (mm)



Photometrics

Distance [m]	Cone diameter [m]	Beam diameter [m]	Illuminance [lx]
0.5	0.68	Ø0.71 / Ø0.90	430 / 1427
1.0	1.36	Ø1.41 / Ø1.80	113 / 357
1.5	2.04	Ø2.12 / Ø2.70	49 / 159
2.0	2.72	Ø2.83 / Ø3.60	36 / 79
2.5	3.40	Ø3.54 / Ø4.50	29 / 51
3.0	4.08	Ø4.25 / Ø5.40	24 / 40

Distance [m] Cone diameter [m] Illuminance [lx]
C0 - C180 (Half beam angle: 66.4°)



Solstice 150 1450lm LUMI 930 DALI

Item No: 2070141

Concord

General data

Product name	Solstice 150 1450lm LUMI 930 DALI
Technology	LED
Cap/Base	N/A
Housing	Aluminium
Mount	Ceiling recessed mounting
Built in presence detector	NONE
General application	Hospitality, Office, Retail
Operating temperature range (°C)	-10°C...+40°C
Performance ambient temperature Tq (°C)	40
Virtual assistant compatibility	N/A
ETIM Class	EC001744
E-number FI	4262059
Warranty	5 years

Optical data

Fixture luminous flux (lm)	1450
Luminaire efficacy (lm/W)	85
LOR (%)	100
Correlated colour temperature (k)	3000
Light colour	Warm White
CRI (Ra)	97
Colour Consistency (SDCM)	3
Colour Variation Initial (SDCM)	SDCM3
Beam Angle (°)	70
Distribution type	Symmetric
Glare control	< 19
Photobiological Risk Group	RG0

Electrical data

Total power consumption (W)	17
Supply current (A)	450
Primary Supply/Product voltage - min (V)	220.0
Primary Supply/Product voltage - max (V)	240.0
Lamp power factor	0.98
THD (at 230 V, 50 Hz, full load, at 100% dimming level) ≤ xx.x %	9
Electrical protection	Class II
Control gear required	No
Control gear type	LED driver constant current
Dimmable	Yes
Dimming method	DALI-2, Switch-dim (mains-rated)
Minimum dimming level (%)	1
Drive current (mA)	450
Inrush Current (A)	18
Inrush Duration (µs)	140
Energy Efficiency Class (A->G) of contained light source	E
Nominal Frequency (Hz)	50/60Hz
LED Flickering Rate	Ultra low (5% or less)
Max. products per 10A C Breaker	36
Max. products per 13A C Breaker	50
Max. products per 16A C Breaker	60
Max. products per 20A C Breaker	76
Max. products per 10A B Breaker	22
Max. products per 13A B Breaker	30
Max. products per 16A B Breaker	36
Max. products per 20A B Breaker	46
Connectable conductor cross section - Min (mm ²)	0.5
Connectable conductor cross section - Max (mm ²)	2.5

Solstice 150 1450lm LUMI 930 DALI

Item No: 2070141

Concord

Lifetime data

Lifespan L70 B50	90000
Lifespan L80 B20	90000
Lifespan L80 B10	90000
Lifespan L90 B10	90000

Physical data

Housing colour	RAL 9016 - Traffic white / Bezel
IP rating	IP54/20
IK rating	IK02
Diffuser finish	Diffuse
Diffuser material	PC Polycarbonate
Reflector finish	High-gloss
Nominal Product Height (mm)	100
Nominal Product Diameter (mm)	165
Built-in diameter (mm)	150
Max. Lamp Diameter (mm) - D	165
Weight (kg)	0.95
Recessed Depth (mm)	150

Packaging

Product EAN number	5025768701414
Packaging single length / height (cm)	30.3
Packaging single width (cm)	30.3
Packaging single depth (cm)	18.0
DUN14 (inner)	05025768701414
Units per outer package	1
Packaging outer length / height (cm)	30.3
Packaging outer width (cm)	30.3
Packaging outer depth (cm)	18.0

Safety data

Glow Wire Test (°C)	850
Optimal operating condition (°C)	-10-40