

# Solstice 200 4200lm 930 DALI

Item No: 2070150

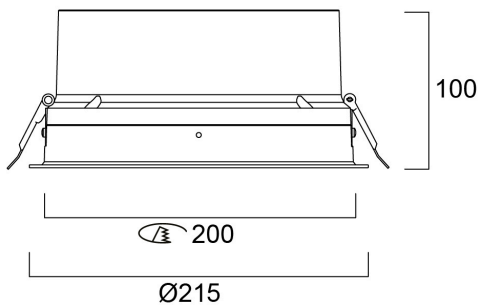
**Concord**



The Solstice 200 4200lm 930 DALI is a high efficient DALI dimmable downlight luminaire, Colour rendering index Ra>90, Colour temperature: 3000K Warm White, Class II, Protection rating IP40/IP20, Cut out dimensions: 200mm.

## Technical Assets

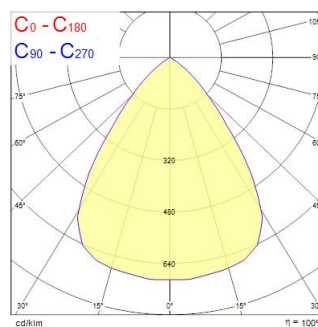
### Dimensions (mm)



### Photometrics

Distance [m]	Cone diameter [m]	Beam diameter [m]	Illuminance [lx]
0.5	0.77	0.77	1199
1.0	1.55	1.55	290
1.5	2.32	2.32	129
2.0	3.09	3.09	75
2.5	3.86	3.86	48
3.0	4.64	4.64	31

Distance [m]    Cone diameter [m]    Illuminance [lx]  
 CO - C180 (Half beam angle: 75.4°)



# Solstice 200 4200lm 930 DALI

Item No: 2070150

# Concord

## General data

Product name	Solstice 200 4200lm 930 DALI
Technology	LED
Cap/Base	N/A
Housing	Aluminium
Mount	Ceiling recessed mounting
Built in presence detector	NONE
General application	Hospitality, Office, Retail
Operating temperature range (°C)	-10°C...+40°C
Performance ambient temperature Tq (°C)	40
Virtual assistant compatibility	N/A
ETIM Class	EC001744
E-number FI	4262079
Warranty	5 years

## Optical data

Fixture luminous flux (lm)	4200
Luminaire efficacy (lm/W)	135
LOR (%)	100
Correlated colour temperature (k)	3000
Light colour	Warm White
CRI (Ra)	90
Colour Consistency (SDCM)	3
Colour Variation Initial (SDCM)	SDCM3
Beam Angle (°)	70
Distribution type	Symmetric
Glare control	< 21
Photobiological Risk Group	RG0

## Electrical data

Total power consumption (W)	31
Supply current (A)	850
Primary Supply/Product voltage - min (V)	220.0
Primary Supply/Product voltage - max (V)	240.0
Lamp power factor	0.98
THD (at 230 V, 50 Hz, full load, at 100% dimming level) ≤ xx.x %	5
Electrical protection	Class II
Control gear required	No
Control gear type	LED driver constant current
Dimmable	Yes
Dimming method	DALI-2, Switch-dim (mains-rated)
Minimum dimming level (%)	1
Drive current (mA)	850
Inrush Current (A)	28
Inrush Duration (µs)	195
Energy Efficiency Class (A->G) of contained light source	C
Nominal Frequency (Hz)	50/60Hz
LED Flickering Rate	Ultra low (5% or less)
Max. products per 10A C Breaker	21
Max. products per 13A C Breaker	30
Max. products per 16A C Breaker	36
Max. products per 20A C Breaker	46
Max. products per 10A B Breaker	13
Max. products per 13A B Breaker	18
Max. products per 16A B Breaker	22
Max. products per 20A B Breaker	28
Connectable conductor cross section - Min (mm <sup>2</sup> )	0.5
Connectable conductor cross section - Max (mm <sup>2</sup> )	2.5

# Solstice 200 4200lm 930 DALI

Item No: 2070150

Concord

## Lifetime data

Lifespan L70 B50	120000
Lifespan L80 B20	120000
Lifespan L80 B10	120000
Lifespan L90 B10	68000

## Physical data

Housing colour	RAL 9016 - Traffic white / Bezel
IP rating	IP54/20
IK rating	IK02
Diffuser finish	Diffuse
Diffuser material	PC Polycarbonate
Reflector finish	High-gloss
Nominal Product Height (mm)	100
Nominal Product Diameter (mm)	215
Built-in diameter (mm)	200
Max. Lamp Diameter (mm) - D	215
Weight (kg)	1.5
Recessed Depth (mm)	150

## Packaging

Product EAN number	5025768701506
Packaging single length / height (cm)	30.3
Packaging single width (cm)	30.3
Packaging single depth (cm)	18.0
DUN14 (inner)	05025768701506
Units per outer package	1
Packaging outer length / height (cm)	30.3
Packaging outer width (cm)	30.3
Packaging outer depth (cm)	18.0

## Safety data

Glow Wire Test (°C)	850
Optimal operating condition (°C)	-10-40