

Lytespan Round Track X-Feed Black 9017-st15/b

Item No: 2070340

Concord

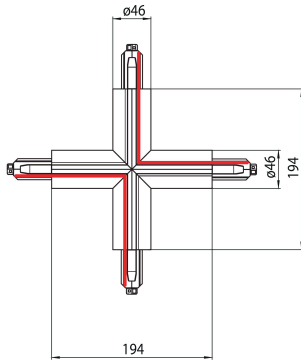


Lytespan Round Track accessory, X-feed connector. Polycarbonate body, copper alloy contacts. Black.

Technical Assets

Dimensions (mm)

Photometrics



Lytespan Round Track X-Feed Black 9017-st15/b

Item No: 2070340

Concord

General data

| | |
|---------------------|---|
| Product name | Lytespan Round Track X-Feed Black 9017-st15/b |
| Technology | Non - Electrical Device |
| Accessory type | Electrical |
| Type of accessory | Coupler/connector X-shape |
| Housing | Aluminium, PC Polycarbonate |
| Mount | Track mounting |
| General application | Hospitality, Museums & Galleries, Office |
| ETIM Class | EC002556 |
| Warranty | 5 years |

Electrical data

| | |
|--|-----|
| Primary Supply/Product voltage - min (V) | 220 |
| Primary Supply/Product voltage - max (V) | 240 |
| Connectable conductor cross section - Max (mm ²) | 2.5 |

Physical data

| | |
|-----------------------------|-------|
| Housing colour | Black |
| Nominal Product Length (mm) | 148 |
| Nominal Product Width (mm) | 148 |
| Weight (kg) | 1.5 |

Packaging

| | |
|---------------------------------------|----------------|
| Product EAN number | 5025768703401 |
| Packaging single length / height (cm) | 30.0 |
| Packaging single width (cm) | 30.0 |
| Packaging single depth (cm) | 12.0 |
| DUN14 (inner) | 05025768703401 |
| Units per outer package | 1 |
| Packaging outer length / height (cm) | 30.0 |
| Packaging outer width (cm) | 30.0 |
| Packaging outer depth (cm) | 12.0 |