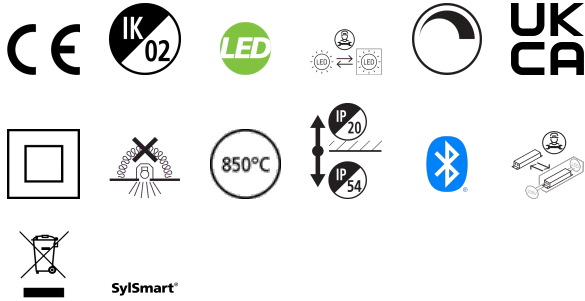


# Solstice 150 1800lm 930 SSC01D WW

Item No: 2070394

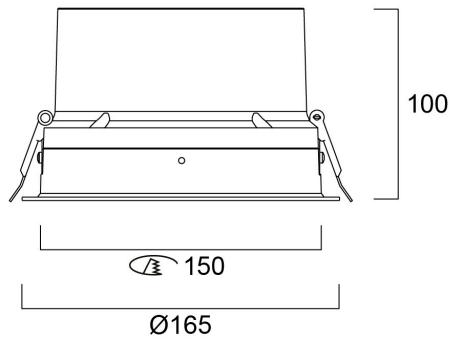
# Concord



The Solstice 150 1800lm 930 SSC WW is a high efficient SSC WW dimmable downlight luminaire, Colour rendering index Ra>90, Colour temperature: 3000K Warm White, Class II, Protection rating IP40/IP20, Cut out dimensions: 150mm.

## Technical Assets

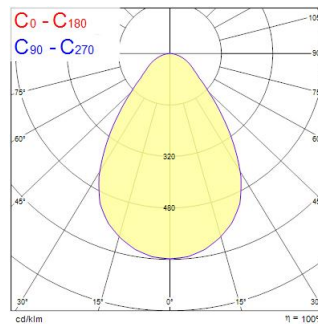
### Dimensions (mm)



### Photometrics

Distance [m]	Cone diameter [m]	Beam diameter [m]	Illuminance [lx]
0.5	0.74	Ø101	436
1.0	1.47	Ø201	110
1.5	2.21	Ø301	49
2.0	2.95	Ø401	31
2.5	3.69	Ø501	20
3.0	4.42	Ø601	15

Distance [m] Cone diameter [m] Illuminance [lx]  
C0 - C180 (Half beam angle: 72.8°)



# Solstice 150 1800lm 930 SSC01D WW

Item No: 2070394

# Concord

## General data

Product name	Solstice 150 1800lm 930 SSC01D WW
Technology	LED
Cap/Base	N/A
Housing	Aluminium
Mount	Ceiling recessed mounting
Built in presence detector	NONE
General application	Hospitality, Office, Retail
Operating temperature range (°C)	-10°C...+40°C
Performance ambient temperature Tq (°C)	40
Virtual assistant compatibility	N/A
ETIM Class	EC001744
E-number FI	4262069
Warranty	5 years

## Optical data

Fixture luminous flux (lm)	1800
Luminaire efficacy (lm/W)	120
LOR (%)	100
Correlated colour temperature (k)	3000
Light colour	Warm White
CRI (Ra)	90
Colour Consistency (SDCM)	3
Colour Variation Initial (SDCM)	SDCM3
Beam Angle (°)	70
Distribution type	Symmetric
Glare control	< 24
Photobiological Risk Group	RG1

## Electrical data

Total power consumption (W)	15
Primary Supply/Product voltage - min (V)	220.0
Primary Supply/Product voltage - max (V)	240.0
Lamp power factor	0.96
THD (at 230 V, 50 Hz, full load, at 100% dimming level) ≤ xx.x %	9
Electrical protection	Class II
Control gear required	No
Control gear type	LED driver constant current
Dimmable	Yes
Dimming method	SylSmart Standalone (SSC)
Minimum dimming level (%)	1
Drive current (mA)	400
Inrush Current (A)	20
Inrush Duration (µs)	140
Energy Efficiency Class (A->G) of contained light source	C
Nominal Frequency (Hz)	50/60Hz
LED Flickering Rate	Ultra low (5% or less)
Max. products per 10A C Breaker	40
Max. products per 13A C Breaker	56
Max. products per 16A C Breaker	64
Max. products per 20A C Breaker	80
Max. products per 10A B Breaker	21
Max. products per 13A B Breaker	28
Max. products per 16A B Breaker	35
Max. products per 20A B Breaker	44
Connectable conductor cross section - Min (mm <sup>2</sup> )	0.5
Connectable conductor cross section - Max (mm <sup>2</sup> )	2.5

# Solstice 150 1800lm 930 SSC01D WW

Item No: 2070394

## Concord

### Lifetime data

Lifespan L70 B50	120000
Lifespan L80 B20	120000
Lifespan L80 B10	120000
Lifespan L90 B10	74000

### Physical data

Housing colour	RAL 9016 - Traffic white / Bezel
IP rating	IP54/20
IK rating	IK02
Diffuser finish	Diffuse
Diffuser material	PC Polycarbonate
Reflector finish	Not Applicable
Nominal Product Height (mm)	100
Nominal Product Diameter (mm)	165
Built-in diameter (mm)	150
Max. Lamp Diameter (mm) - D	165
Weight (kg)	0.95
Recessed Depth (mm)	150

### Packaging

Product EAN number	5025768703944
Packaging single length / height (cm)	30.3
Packaging single width (cm)	30.3
Packaging single depth (cm)	18.0
DUN14 (inner)	05025768703944
Units per outer package	1
Packaging outer length / height (cm)	30.3
Packaging outer width (cm)	30.3
Packaging outer depth (cm)	18.0

### Safety data

Glow Wire Test (°C)	850
Optimal operating condition (°C)	-10-40