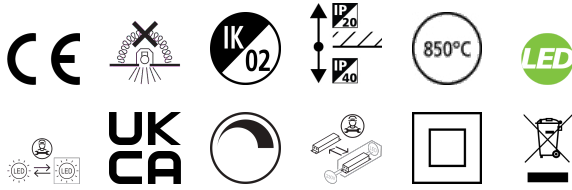


Solstice 150 1900lm 940 DALI SemiMatt White

Item No: 2070415

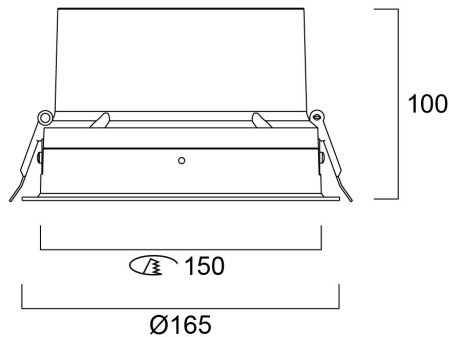
Concord



Solstice 150 1900lm 940 DALI SemiMatt White is an efficient DALI dimmable downlight luminaire with semi matt reflector and white bezel, Colour rendering index Ra>90, Colour temperature: 4000K Netural White, Class II, Protection rating IP40/IP20, Cut out dimensions: 150mm.

Technical Assets

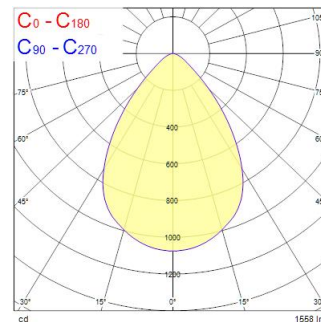
Dimensions (mm)



Photometrics

| Distance [m] | Cone diameter [m] | Beam diameter [m] | Illuminance [lx] |
|--------------|-------------------|-------------------|------------------|
| 0.5 | 0.75 | Ø101 | 694 |
| 1.0 | 1.50 | Ø165 | 420 |
| 1.5 | 2.25 | Ø218 | 368 |
| 2.0 | 3.00 | Ø271 | 316 |
| 2.5 | 3.75 | Ø324 | 264 |
| 3.0 | 4.50 | Ø377 | 212 |

Distance [m] Cone diameter [m] Illuminance [lx]
 CO - C180 (Half beam angle: 73.8°)



Solstice 150 1900lm 940 DALI SemiMatt White

Item No: 2070415

Concord

General data

| | |
|---|---|
| Product name | Solstice 150 1900lm 940 DALI SemiMatt White |
| Technology | LED |
| Cap/Base | N/A |
| Housing | Aluminium |
| Mount | Ceiling recessed mounting |
| Built in presence detector | NONE |
| General application | Hospitality, Office, Retail |
| Operating temperature range (°C) | -10°C...+40°C |
| Performance ambient temperature Tq (°C) | 40 |
| Virtual assistant compatibility | N/A |
| ETIM Class | EC001744 |
| E-number FI | 4170376 |
| Warranty | 5 years |

Optical data

| | |
|-----------------------------------|---------------|
| Fixture luminous flux (lm) | 1600 |
| Luminaire efficacy (lm/W) | 133 |
| LOR (%) | 107 |
| Correlated colour temperature (k) | 4000 |
| Light colour | Neutral White |
| CRI (Ra) | 90 |
| Colour Variation Initial (SDCM) | SDCM3 |
| Colour Consistency (SDCM) | 3 |
| Beam Angle (°) | 70 |
| Distribution type | Symmetric |
| Glare control | < 19 |
| Photobiological Risk Group | RG1 |

Electrical data

| | |
|--|----------------------------------|
| Total power consumption (W) | 15 |
| Supply current (A) | 400 |
| Primary Supply/Product voltage - min (V) | 220.0 |
| Primary Supply/Product voltage - max (V) | 240.0 |
| Lamp power factor | 0.98 |
| THD (at 230 V, 50 Hz, full load, at 100% dimming level) ≤ xx.x % | 9 |
| Electrical protection | Class II |
| Control gear required | No |
| Control gear type | LED driver constant current |
| Dimmable | Yes |
| Dimming method | DALI-2, Switch-dim (mains-rated) |
| Minimum dimming level (%) | 1 |
| Drive current (mA) | 400 |
| Inrush Current (A) | 18 |
| Inrush Duration (µs) | 140 |
| Energy Efficiency Class (A->G) of contained light source | C |
| Nominal Frequency (Hz) | 50/60Hz |
| LED Flickering Rate | Ultra low (5% or less) |
| Max. products per 10A C Breaker | 36 |
| Max. products per 13A C Breaker | 50 |
| Max. products per 16A C Breaker | 60 |
| Max. products per 20A C Breaker | 76 |
| Max. products per 10A B Breaker | 22 |
| Max. products per 13A B Breaker | 30 |
| Max. products per 16A B Breaker | 36 |
| Max. products per 20A B Breaker | 46 |
| Connectable conductor cross section - Min (mm ²) | 0.5 |
| Connectable conductor cross section - Max (mm ²) | 2.5 |

Solstice 150 1900lm 940 DALI SemiMatt White

Item No: 2070415

Concord

Lifetime data

| | |
|------------------|--------|
| Lifespan L70 B50 | 120000 |
| Lifespan L80 B20 | 120000 |
| Lifespan L80 B10 | 120000 |
| Lifespan L90 B10 | 108000 |

Physical data

| | |
|-------------------------------|----------------------------------|
| Housing colour | RAL 9016 - Traffic white / Bezel |
| IP rating | IP40/20 |
| IK rating | IK02 |
| Diffuser finish | Diffuse |
| Diffuser material | PC Polycarbonate |
| Reflector finish | Not Applicable |
| Nominal Product Height (mm) | 100 |
| Nominal Product Diameter (mm) | 165 |
| Built-in diameter (mm) | 150 |
| Max. Lamp Diameter (mm) - D | 165 |
| Weight (kg) | 0.95 |
| Recessed Depth (mm) | 150 |

Packaging

| | |
|---------------------------------------|----------------|
| Product EAN number | 5025768704156 |
| Packaging single length / height (cm) | 30.3 |
| Packaging single width (cm) | 30.3 |
| Packaging single depth (cm) | 18.0 |
| DUN14 (inner) | 05025768704156 |
| Units per outer package | 1 |
| Packaging outer length / height (cm) | 30.3 |
| Packaging outer width (cm) | 30.3 |
| Packaging outer depth (cm) | 18.0 |

Safety data

| | |
|----------------------------------|--------|
| Glow Wire Test (°C) | 850 |
| Optimal operating condition (°C) | -10-40 |