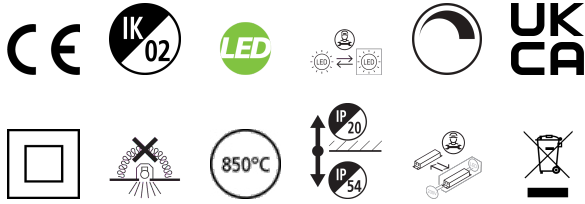


# Solstice 150 2000LM 940 SSA01D

Item No: 2693856

Concord



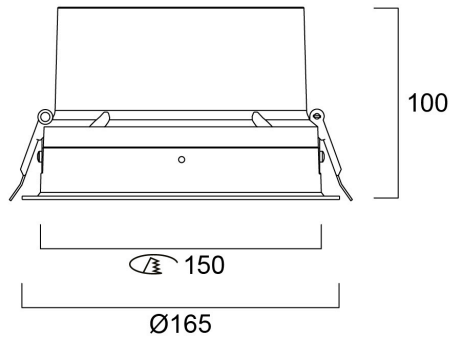
SylSmart®



Solstice 150 2000LM 940 SSA01D

## Technical Assets

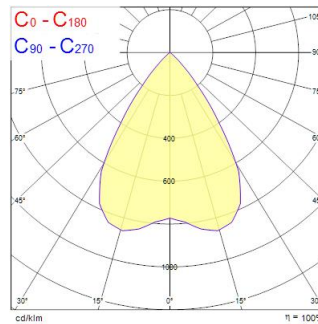
### Dimensions (mm)



### Photometrics

Distance [m]	Cone diameter [m]	Beam diameter [m]	Illuminance [lx]
0.5	0.68	0.71	590
		0.70	188
1.0	1.36	1.41	148
		1.39	47
1.5	2.05	2.11	99
		2.08	27
2.0	2.73	2.81	74
		2.77	19
2.5	3.41	3.51	59
		3.46	15
3.0	4.09	4.21	49
		4.14	12

Distance [m] Cone diameter [m] Illuminance [lx]  
 CO - C180 (Half beam angle: 66.6°)



# Solstice 150 2000LM 940 SSA01D

Item No: 2693856

# Concord

## General data

Product name	Solstice 150 2000LM 940 SSA01D
Technology	LED
Cap/Base	N/A
Housing	Aluminium
Mount	Ceiling recessed mounting
Built in presence detector	NONE
General application	Education, Hospitality, Office, Retail
Operating temperature range (°C)	-10°C...+40°C
Performance ambient temperature Tq (°C)	40
ETIM Class	EC001744
Warranty	5 years

## Optical data

Fixture luminous flux (lm)	2000
Luminaire efficacy (lm/W)	133
LOR (%)	100
Correlated colour temperature (k)	4000
Light colour	Neutral White
CRI (Ra)	90
Colour Variation Initial (SDCM)	SDCM3
Colour Consistency (SDCM)	3
Beam Angle (°)	70
Distribution type	Symmetric
Glare control	< 19
Photobiological Risk Group	RG0

## Electrical data

Emergency type	
Total power consumption (W)	15
Supply current (A)	400
Primary Supply/Product voltage - min (V)	220.0
Primary Supply/Product voltage - max (V)	240.0
Electrical protection	Class II
Control gear required	No
Control gear type	LED driver constant current
Dimmable	Yes
Dimming method	SylSmart Connected (SSA)
Drive current (mA)	400
Inrush Current (A)	20
Inrush Duration (µs)	141
Energy Efficiency Class (A->G) of contained light source	C
Nominal Frequency (Hz)	50/60Hz
Max. products per 10A C Breaker	10
Max. products per 16A C Breaker	10
Max. products per 16A B Breaker	16
Connectable conductor cross section - Min (mm <sup>2</sup> )	0.5
Connectable conductor cross section - Max (mm <sup>2</sup> )	2.5

## Lifetime data

Lifespan L70 B50	120000
Lifespan L70 B20	120000
Lifespan L70 B10	120000
Lifespan L80 B50	120000
Lifespan L80 B20	120000
Lifespan L80 B10	120000
Lifespan L90 B50	84000
Lifespan L90 B20	76000
Lifespan L90 B10	74000

# Solstice 150 2000LM 940 SSA01D

Item No: 2693856

Concord

## Physical data

Housing colour	RAL 9016 - Traffic white / Bezel
IP rating	IP54/20
IK rating	IK02
Nominal Product Height (mm)	100
Nominal Product Diameter (mm)	165
Built-in diameter (mm)	150
Max. Lamp Diameter (mm) - D	165
Weight (kg)	2.5
Recessed Depth (mm)	150

## Packaging

Product EAN number	5025768938568
Packaging single length / height (cm)	27.5
Packaging single width (cm)	25.0
Packaging single depth (cm)	12.5
Units per outer package	1
Packaging outer length / height (cm)	27.5
Packaging outer width (cm)	25.0
Packaging outer depth (cm)	12.5

## Safety data

Glow Wire Test (°C)	850
Optimal operating condition (°C)	-10-40