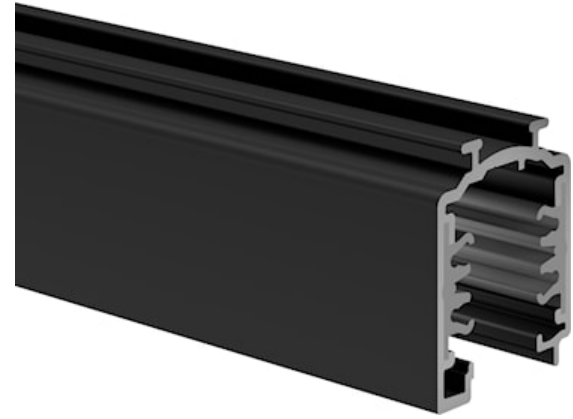


OneTrack 3phase 2m Black 9000b-2/b-st

Item No: 9200306

SYLVANIA

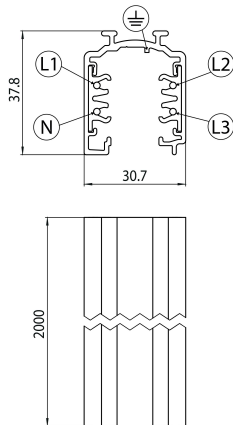
PROTM



Onetrack 3-phase - 3 circuit track L1/L2/L3/Neutral/ground 16A/440V, circuits can be controlled individually, aluminum body, suitable for surface and suspended mounting, 2000 x 30.7 x 37.8 mm (L x W x H), black (RAL 9005).

Technical Assets

Dimensions (mm)



Photometrics

OneTrack 3phase 2m Black 9000b-2/b-st

Item No: 9200306

SYLVANIA

General data

| | |
|---------------------|---|
| Product name | OneTrack 3phase 2m Black 9000b-2/b-st |
| Technology | Non - Electrical Device |
| Accessory type | Electrical |
| Type of accessory | Track |
| Housing | Aluminium |
| Mount | Suspended, Ceiling surface mounting, Wall surface mounted |
| General application | Museums & Galleries, Office |
| ETIM Class | EC000101 |
| Warranty | 5 years |

Electrical data

| | |
|--|---------|
| Primary Supply/Product voltage - min (V) | 220 |
| Primary Supply/Product voltage - max (V) | 240 |
| Electrical protection | Class I |

Physical data

| | |
|-----------------------------|-------|
| Housing colour | Black |
| Nominal Product Length (mm) | 2000 |
| Nominal Product Width (mm) | 30.7 |
| Nominal Product Height (mm) | 37.8 |
| Weight (kg) | 1.5 |

Packaging

| | |
|---------------------------------------|---------------|
| Product EAN number | 4012289003067 |
| Packaging single length / height (cm) | 206.0 |
| Packaging single width (cm) | 3.3 |
| Packaging single depth (cm) | 3.5 |
| Units per outer package | 276 |
| Packaging outer length / height (cm) | 210.0 |
| Packaging outer width (cm) | 80.0 |
| Packaging outer depth (cm) | 50.0 |