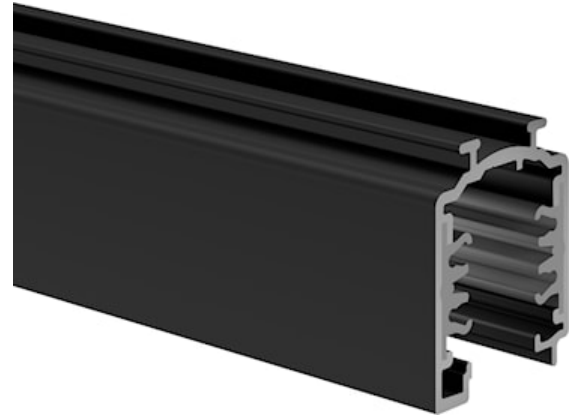


# OneTrack 1m Black 9000a-1/b-st

Item No: 9200505

**SYLVANIA**

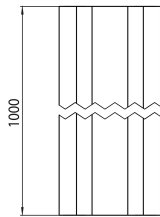
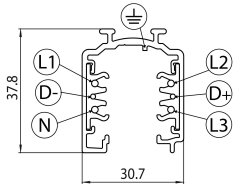
**PRO**<sup>TM</sup>



Onetrack - 3 circuit track + 2 circuit control L1/L2/L3/Neutral/ground 16A/440V + D+/D- 2x1A/50V FELV AC, DALI, DMX, 1-10V etc. compatible, circuits can be controlled individually, aluminum body, suitable for surface and suspended mounting, 1000 x 30.7 x 37.8 mm (L x W x H), black (RAL 9005).

## Technical Assets

### Dimensions (mm)



### Photometrics

# OneTrack 1m Black 9000a-1/b-st

Item No: 9200505

**SYLVANIA**

## General data

Product name	OneTrack 1m Black 9000a-1/b-st
Technology	Non - Electrical Device
Accessory type	Electrical
Type of accessory	Track
Housing	Aluminium
Mount	Suspended, Ceiling surface mounting, Wall surface mounted
General application	Museums & Galleries, Office
ETIM Class	EC000101
Warranty	5 years

## Electrical data

Primary Supply/Product voltage - min (V)	220
Primary Supply/Product voltage - max (V)	240
Electrical protection	Class I

## Physical data

Housing colour	Black
Nominal Product Length (mm)	1000
Nominal Product Width (mm)	30.7
Nominal Product Height (mm)	37.8
Weight (kg)	0.84

## Packaging

Product EAN number	4012289005054
Packaging single length / height (cm)	106.0
Packaging single width (cm)	3.3
Packaging single depth (cm)	3.5
Units per outer package	138
Packaging outer length / height (cm)	110.0
Packaging outer width (cm)	80.0
Packaging outer depth (cm)	50.0