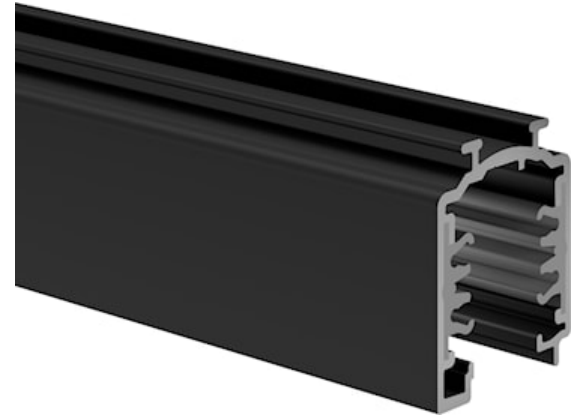


OneTrack 2m Black 9000a-2/b-st

Item No: 9200506

SYLVANIA

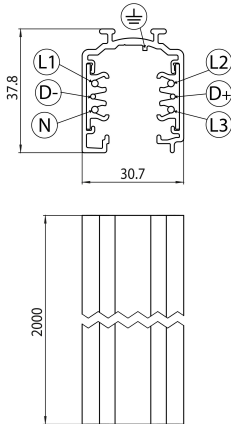
PROTM



Onetrack - 3 circuit track + 2 circuit control L1/L2/L3/Neutral/ground 16A/440V + D+/D- 2x1A/50V FELV AC, DALI, DMX, 1-10V etc. compatible, circuits can be controlled individually, aluminum body, suitable for surface and suspended mounting, 2000 x 30.7 x 37.8 mm (L x W x H), black (RAL 9005).

Technical Assets

Dimensions (mm)



Photometrics

OneTrack 2m Black 9000a-2/b-st

Item No: 9200506

SYLVANIA

General data

Product name	OneTrack 2m Black 9000a-2/b-st
Technology	Non - Electrical Device
Accessory type	Electrical
Type of accessory	Track
Housing	Aluminium
Mount	Suspended, Ceiling surface mounting, Wall surface mounted
General application	Museums & Galleries, Office
ETIM Class	EC000101
Warranty	5 years

Electrical data

Primary Supply/Product voltage - min (V)	220
Primary Supply/Product voltage - max (V)	240
Electrical protection	Class I

Physical data

Housing colour	Black
Nominal Product Length (mm)	2000
Nominal Product Width (mm)	30.7
Nominal Product Height (mm)	37.8
Weight (kg)	1.68

Packaging

Product EAN number	4012289005061
Packaging single length / height (cm)	206.0
Packaging single width (cm)	3.3
Packaging single depth (cm)	3.5
Units per outer package	138
Packaging outer length / height (cm)	210.0
Packaging outer width (cm)	80.0
Packaging outer depth (cm)	50.0