

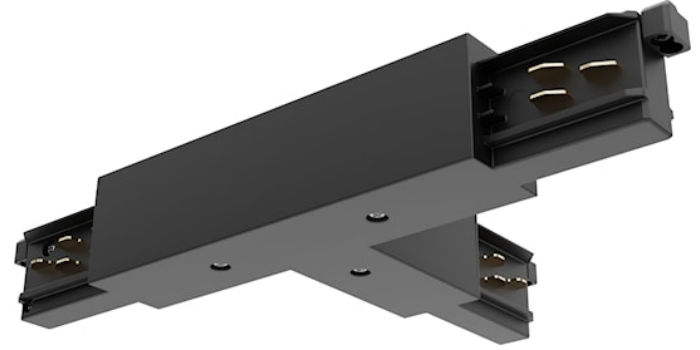
# OneTrack T-Feed Connector In-Left Black 9015/b

Item No: 9200736

**SYLVANIA**

**PRO**<sup>TM</sup>

CE UK  
CA

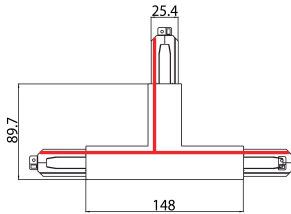


OneTrack accessory, T-feed connector in-left, polarity ridge is in the inner side. Polycarbonate body, copper alloy contacts. Cover for recessed version supplied separately. Black. Please check the polarity diagram on selling sheet. Please check the safety sheet to supply the track with this accessory and follow the instructions correctly.

## Technical Assets

Dimensions (mm)

Photometrics



# OneTrack T-Feed Connector In-Left Black 9015/b

Item No: 9200736

**SYLVANIA**

## General data

Product name	OneTrack T-Feed Connector In-Left Black 9015/b
Technology	Non - Electrical Device
Accessory type	Electrical
Type of accessory	Coupler/connector T-shape
Mount	Track mounting
General application	Museums & Galleries, Office
ETIM Class	EC002556
Warranty	5 years

## Electrical data

Primary Supply/Product voltage - min (V)	220
Primary Supply/Product voltage - max (V)	240
Connectable conductor cross section - Max (mm <sup>2</sup> )	2.5

## Physical data

Housing colour	Black
Nominal Product Length (mm)	148
Nominal Product Width (mm)	25.4
Nominal Product Height (mm)	89.7
Weight (kg)	0.29

## Packaging

Product EAN number	4012289007362
Packaging single length / height (cm)	30.0
Packaging single width (cm)	16.7
Packaging single depth (cm)	0.32
Units per outer package	1
Packaging outer length / height (cm)	30.0
Packaging outer width (cm)	16.7
Packaging outer depth (cm)	0.32