

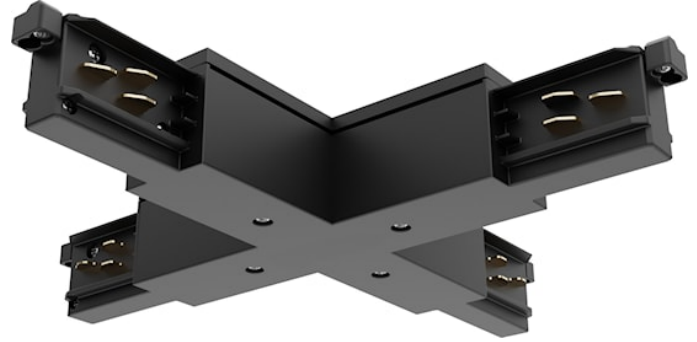
OneTrack X-Feed Connector Black 9017/b

Item No: 9200740

SYLVANIA

PROTM

CE UK CA

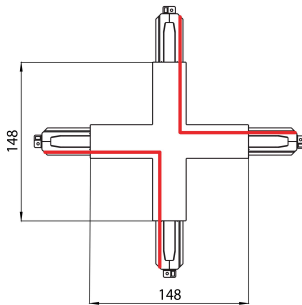


OneTrack accessory, X-feed connector. Cover for recessed version supplied separately. Polycarbonate body, copper alloy contacts. Cover for recessed version supplied separately. Black. Please check the safety sheet to supply the track with this accessory and follow the instructions correctly.

Technical Assets

Dimensions (mm)

Photometrics



OneTrack X-Feed Connector Black 9017/b

Item No: 9200740

SYLVANIA

General data

Product name	OneTrack X-Feed Connector Black 9017/b
Technology	Non - Electrical Device
Accessory type	Electrical
Type of accessory	Coupler/connector X-shape
Mount	Track mounting
General application	Museums & Galleries, Office
ETIM Class	EC002556
Warranty	5 years

Electrical data

Primary Supply/Product voltage - min (V)	220
Primary Supply/Product voltage - max (V)	240
Connectable conductor cross section - Max (mm ²)	2.5

Physical data

Housing colour	Black
Nominal Product Length (mm)	148
Nominal Product Width (mm)	148
Weight (kg)	0.29

Packaging

Product EAN number	4012289007409
Packaging single length / height (cm)	30.0
Packaging single width (cm)	30.0
Packaging single depth (cm)	0.32
Units per outer package	1
Packaging outer length / height (cm)	30.0
Packaging outer width (cm)	30.0
Packaging outer depth (cm)	0.32